




OWNER'S MANUAL

BMS7700 Shed

Includes instructions for 7 1/2' x 7' x 8 1/2' shed
Assembled exterior dimensions: 7 1/2' W. x 7' 2 1/4" D. x 8 1/2' H.

Before You Begin...

- **Consult your local authorities for any permits required to construct shed.**
Prior to the construction of your shed, check with the local building code official to review any required permits or building limitations.
- **A level and sturdy foundation is required before shed construction can begin.**
Site preparation information is available on page 9.
- **Read instructions thoroughly prior to assembly.**
This kit contains parts that can be damaged if assembled incorrectly or in the wrong sequence.
- **Please follow instructions.**
Suncast is not responsible for replacing parts lost or damaged due to incorrect assembly.
- **Check for all parts before you begin assembly.**
Using the provided parts check list on pages 3-8, verify that you have all the parts required to construct your shed model. **COMPLETE SITE PREPARATION AND FOUNDATION CONSTRUCTION BEFORE UNPACKING ALL PARTS.**
- **Assistance is required during entire assembly.** 



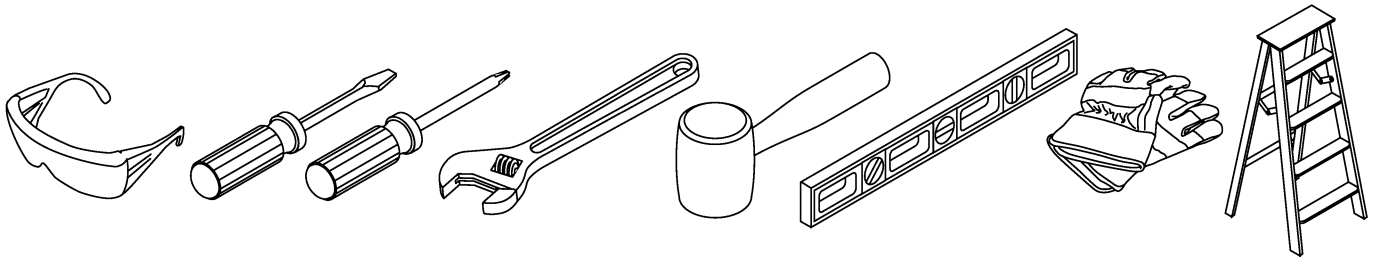
CAUTION

- Proper site preparation required.
- Shed not intended for use in extreme weather conditions.
- Shed not intended for storage of flammable or caustic chemicals.
- Store heavy items near the bottom of shed.
- Shed not intended for use by children.
- DO NOT stand, sit, or store items on storage shed roof.
- Treat carefully in extreme temperatures.
- Repair or replace broken parts immediately.
- Suncast is not responsible for damage caused by weather or misuse.
- At regular intervals inspect your shed to make sure that assembly integrity has been maintained.
- Periodically check that the location you have chosen to set your shed is still level.
- This kit contains parts with metal edges. Please be careful when handling.

Shed Safety and Care

- Wash shed with garden hose or mild detergent solution and soft cloth. **DO NOT** use a stiff brush or abrasive cleaner as that could damage shed. **DO NOT** use bleach or other caustic cleaners.
- Hot items, such as recently used grills, blowtorches, etc., must not be stored in the shed.
- Heavy articles should not be leaned against the walls, as this may cause panel distortion and permanent damage.
- Keep roof clean of snow and leaves.

Tools Needed for Installation

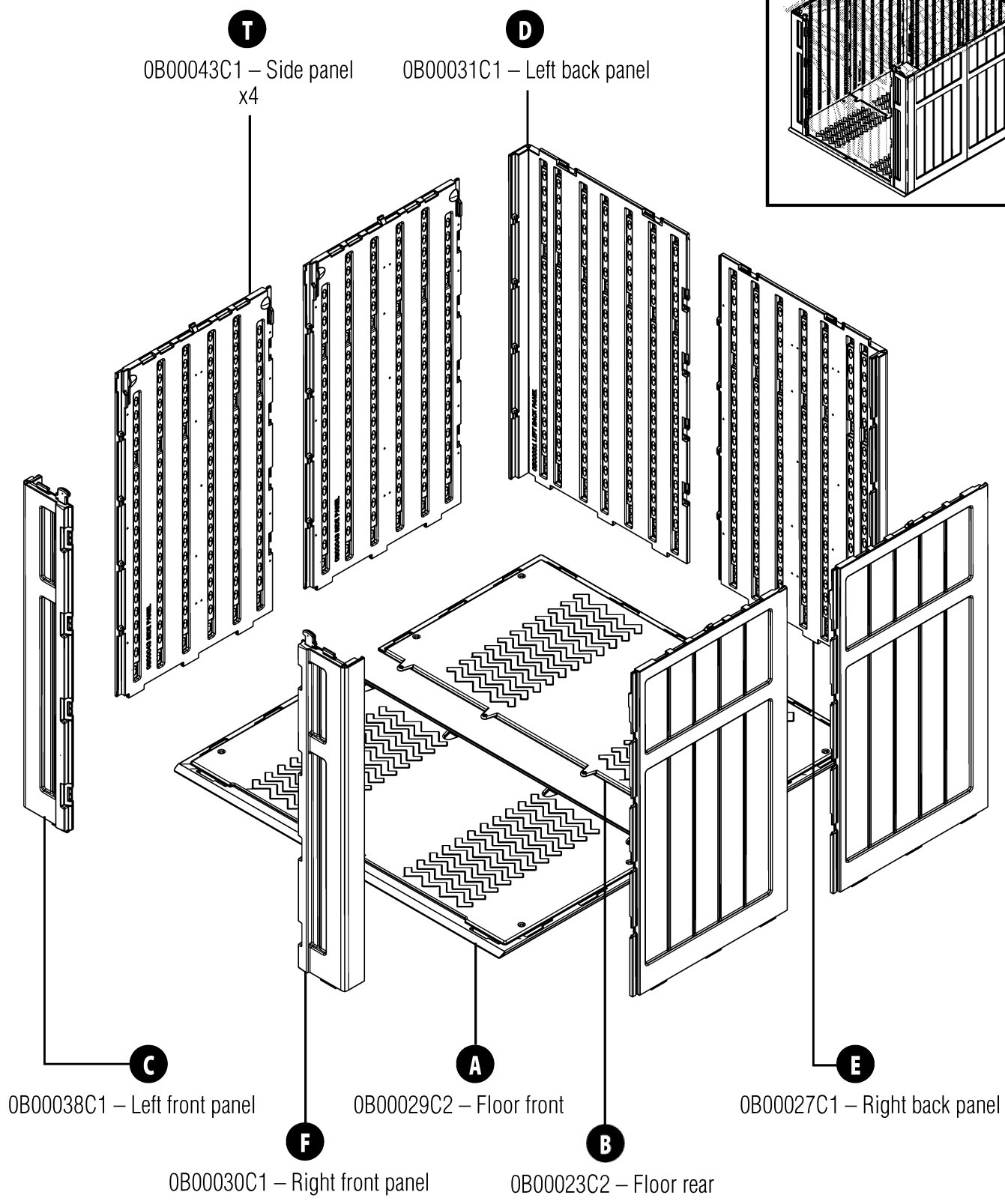
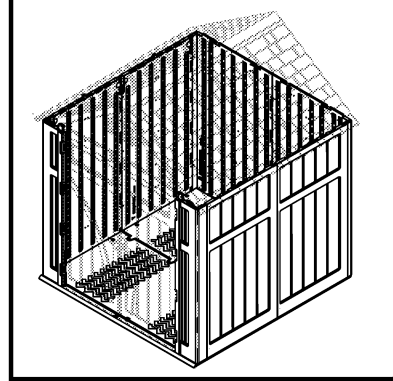


Assembly Day Tips

- **Complete site preparation and foundation construction before unpacking parts and beginning assembly.**
- **DO NOT attempt to assemble on a day with strong winds.**
- **DO NOT attempt to assemble on days when temperature is below 32 degrees.**
- **Set aside appropriate amount of time to completely assemble shed. Assembly time is approximately 3 hours.**
- **Make sure you have assistance nearby to lift and secure parts in place.**
- **Wear light duty work gloves while assembling shed.**
- **Once roof is assembled, a flashlight may be of use when assembling smaller components inside shed.**

***Note:** This product contains parts that are used in different orientations to construct the shed. Please take note of the orientation of the parts shown throughout this instruction manual. Failure to follow instructions could result in damage to parts. Suncast is not responsible for replacing parts lost or damaged due to incorrect assembly.*

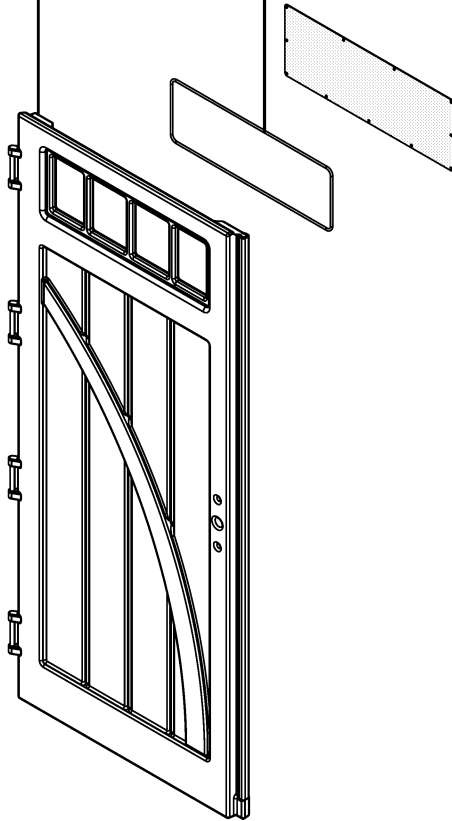
Parts



Parts

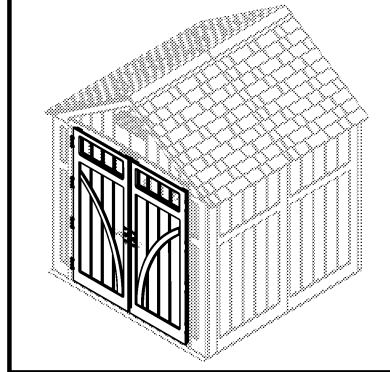
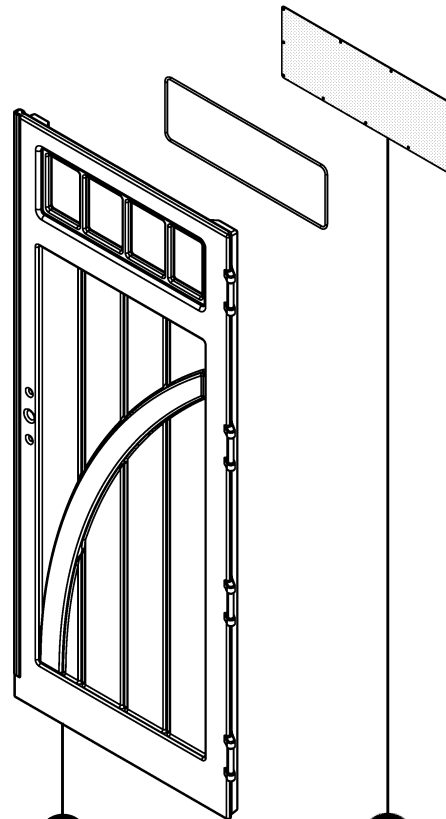
W
0B00045C1 – Left
door

I
0510586 – Door
window gasket
x2

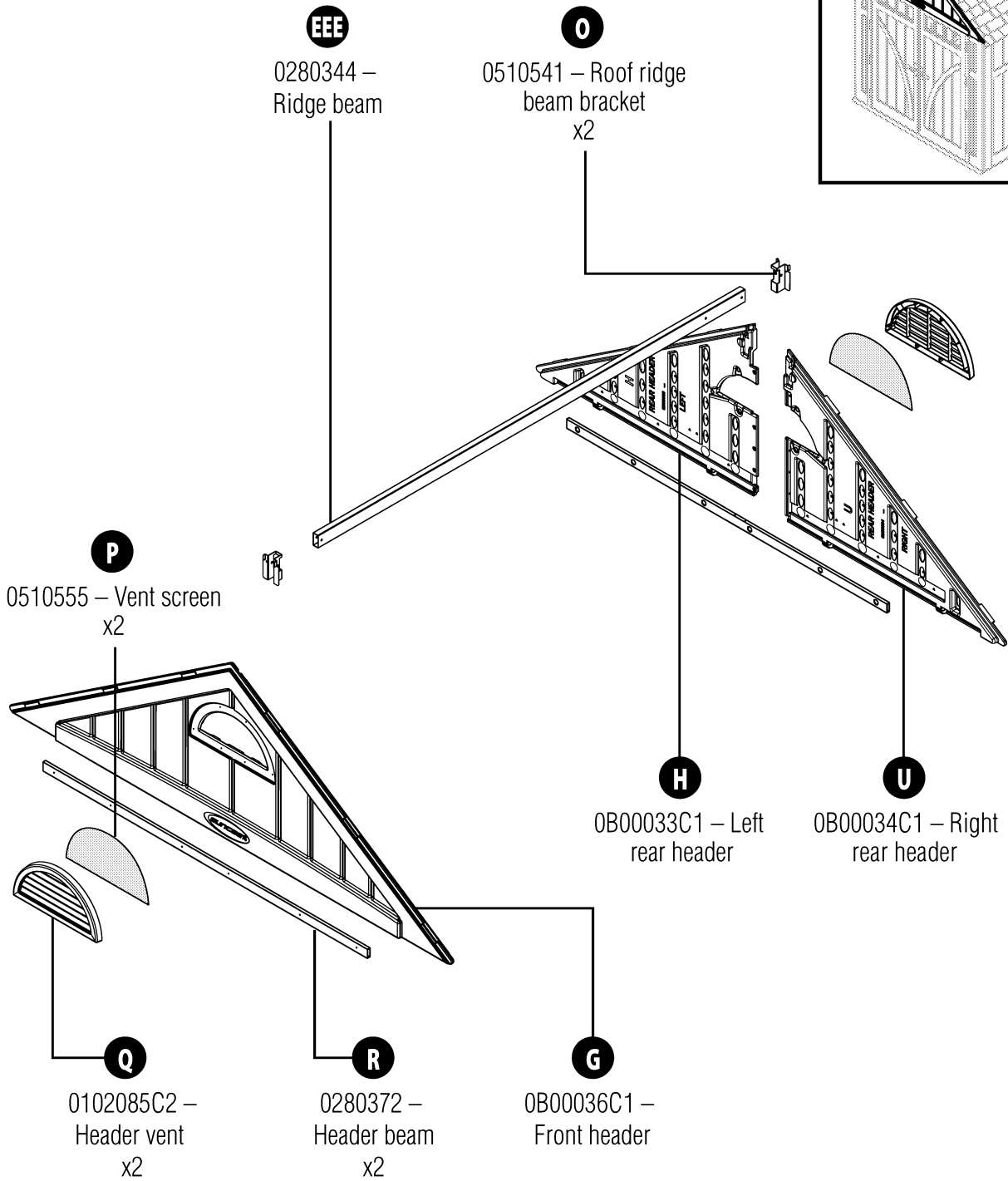
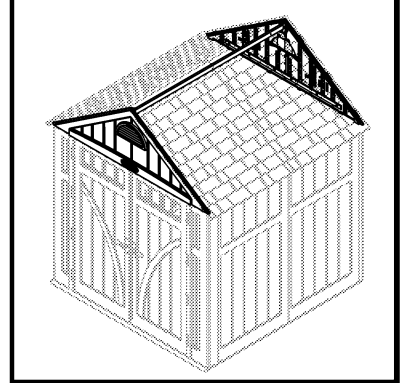


V
0B00046C1 – Right
door

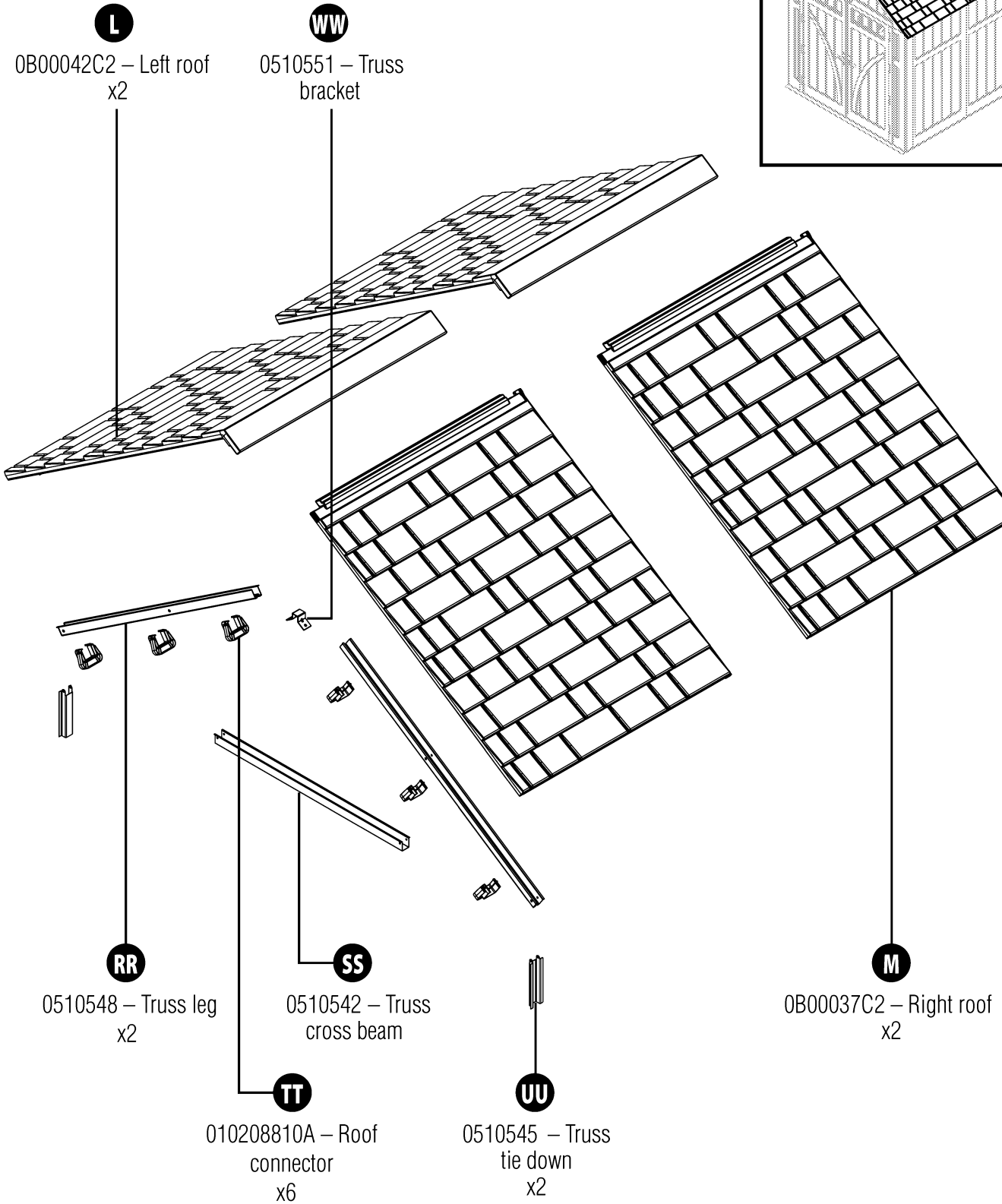
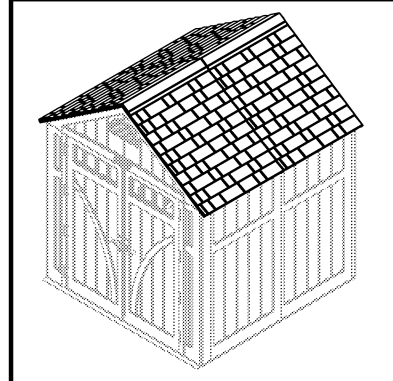
S
0510585 – Door
window
x2



Parts



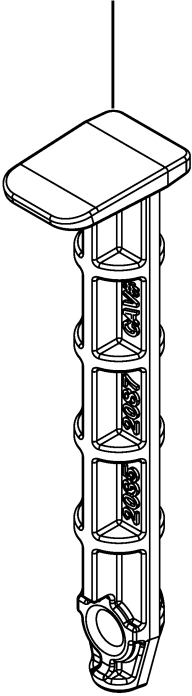
Parts



Hardware

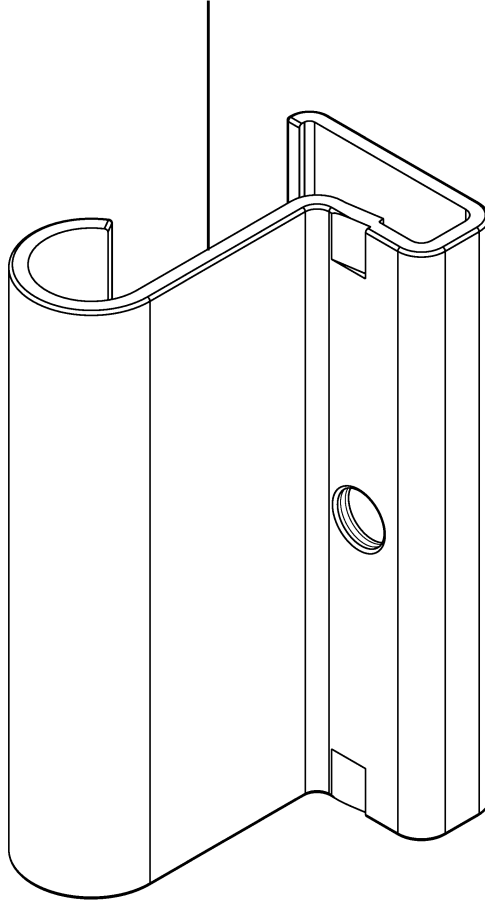
J

0102087C1 – Panel
connector pin
x38



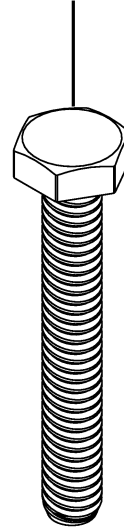
K

0510550 – Metal
hinge plate
x8



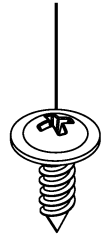
X

0200025 – 2" Hex
head cap screw
x6



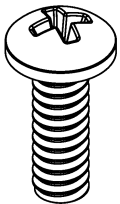
XX

0210178 – No. 8 x .5
washer head screw
x25



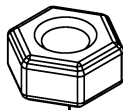
Y

0210171 – .25 - 20 x .75
machine screw
x8



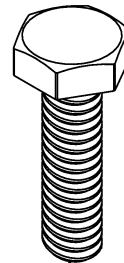
Z

0220047 – .25 - 20 Nut
x16



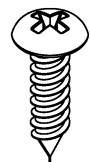
WV

0200033 – 1" Hex head
cap screw
x2



AA

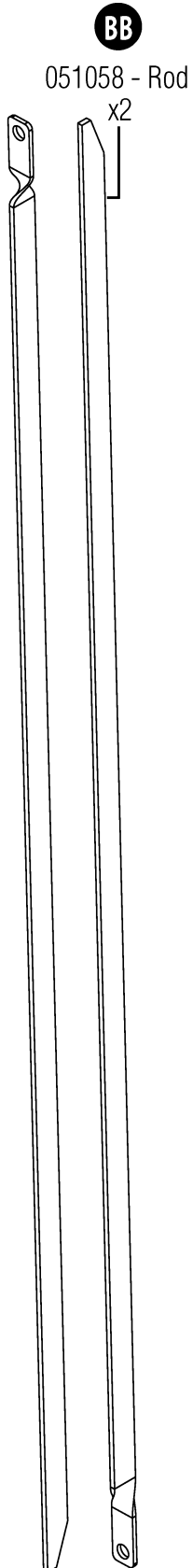
0210180 – Pan
head screw
x70



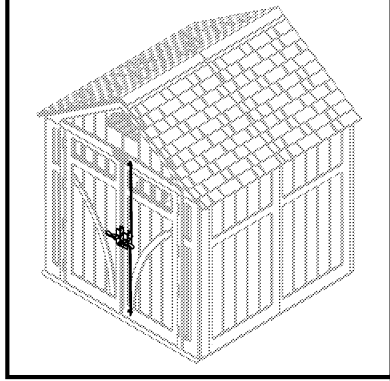
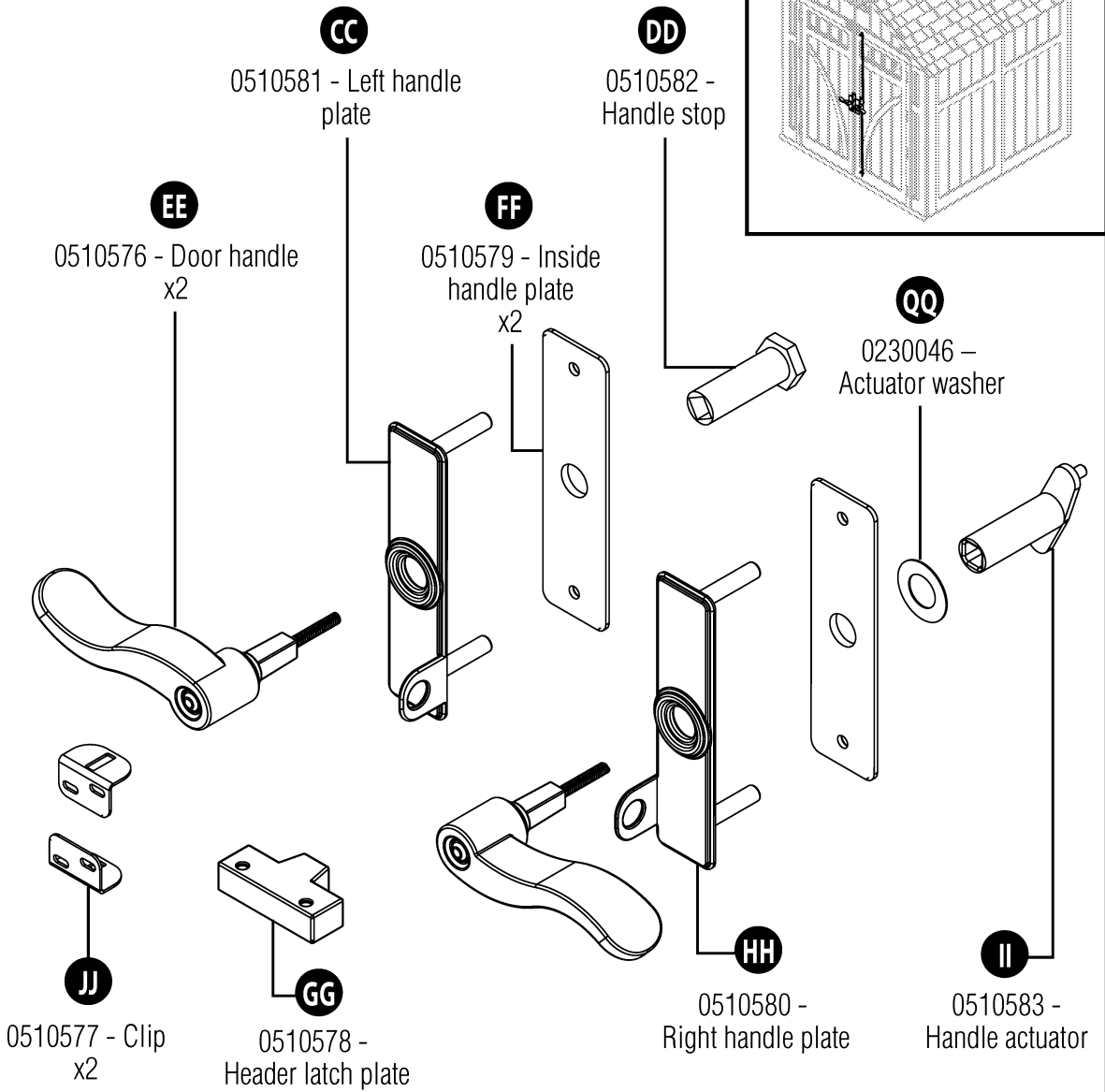
Shown Actual Size

Door Handle

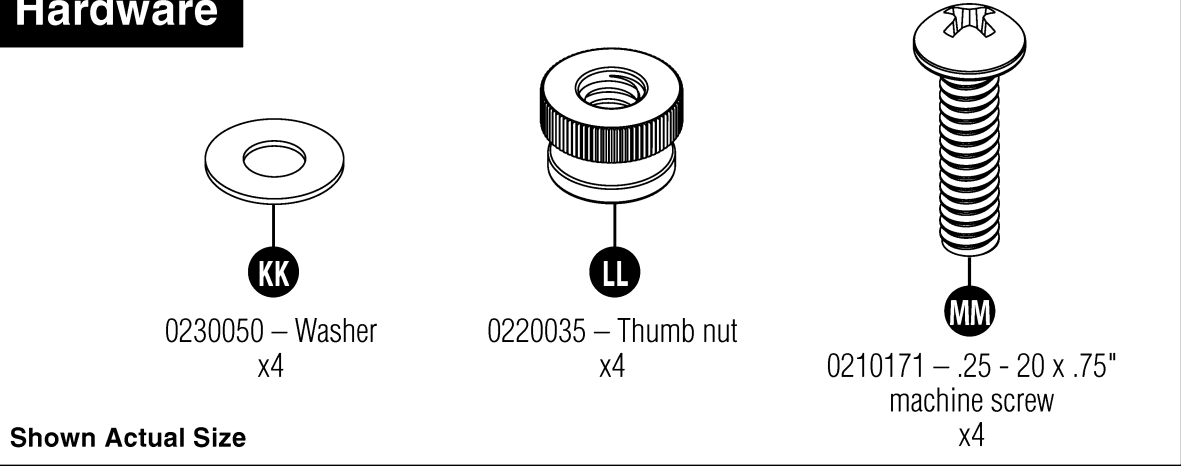
0440565 – Door Handle Rod Kit



0440543 – Door Handle Kit



Hardware



Shown Actual Size

Site Preparation and Platform Construction

(Materials NOT supplied with Shed Kit)

Note: *Site preparation is required for this shed. Placing the shed on a constructed foundation is highly recommended. Without a constructed foundation, settling will probably occur, causing distortion and damage to the shed. Suncoast is not responsible for replacing parts damaged or property lost due to incorrect assembly.*

Note: *Complete the site preparation and foundation construction before unpacking parts and beginning assembly.*

Complete the site preparation and platform construction before unpacking parts.

To prepare your shed site, follow the below steps:

- 1) Consult your local authorities for building codes and covenants before beginning foundation or erecting shed.
- 2) Before any digging, check with local utilities to determine location of buried cables, pipes, etc.
- 3) Decide which type of foundation you want:
 - Concrete slab, 4" thick (Recommended)

or

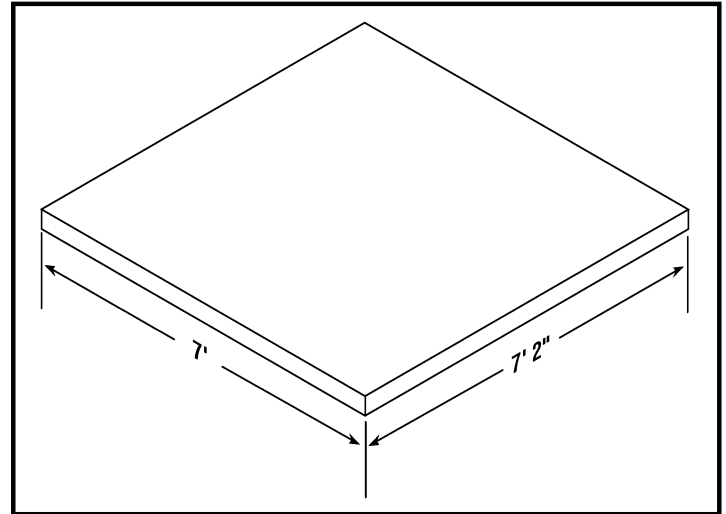
 - Wood platform (Recommended)
Use exterior grade wood. The wood platform should be set on pier blocks or footing. Consult your local retailer for help to determine the best anchoring method for your particular installation. The provided plans are sized for the minimum number of cuts to lumber and plywood.
 - Without constructed foundation
See how to anchor assembled base to ground on page 10.
- 4) Prepare the building site:
 - The ground should slope away from the foundation area to provide drainage.
 - The foundation surface must be flat and level.
 - A vapor barrier should be provided to prevent excessive condensation in the shed.
 - Follow local building codes for a proper vapor barrier.
- 5) Anchoring the shed to the foundation:
 - Consult your local retailer for help to determine the best anchoring method for your particular installation.
 - To secure the shed to a concrete pad, use masonry fasteners available at your local retailer.
 - To secure the shed to a wood platform, use 1/4" x 2" lag screws with washers. See diagram on page 10 for anchoring locations.

Site Preparation and Platform Construction (continued)

(Materials NOT supplied with Shed Kit)

Anchoring floor panel to concrete slab

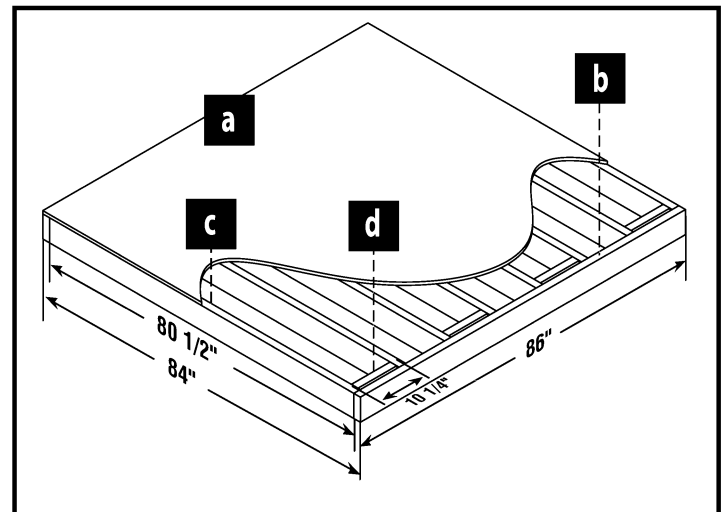
- Secure shed to concrete pad using masonry fasteners.
- Dimensions allow for approximately 1" extra on each side.



Anchoring floor panel to wood platform

- Secure shed to wood platform using 1/4" x 2" lag screws.

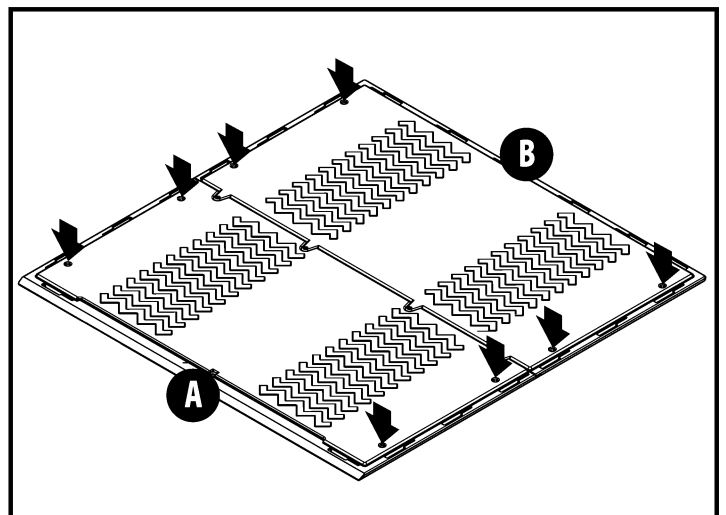
| Wood Platform Materials List | | |
|------------------------------|-----|--------------------------|
| Item | Qty | Size |
| a | 1 | 84" x 86" x 3/4" plywood |
| b | 2 | 2" x 6" x 86" |
| c | 8 | 2" x 6" x 80 1/2" |
| d | 8 | 2" x 6" x 10 1/4" |



Anchoring floor panel to ground

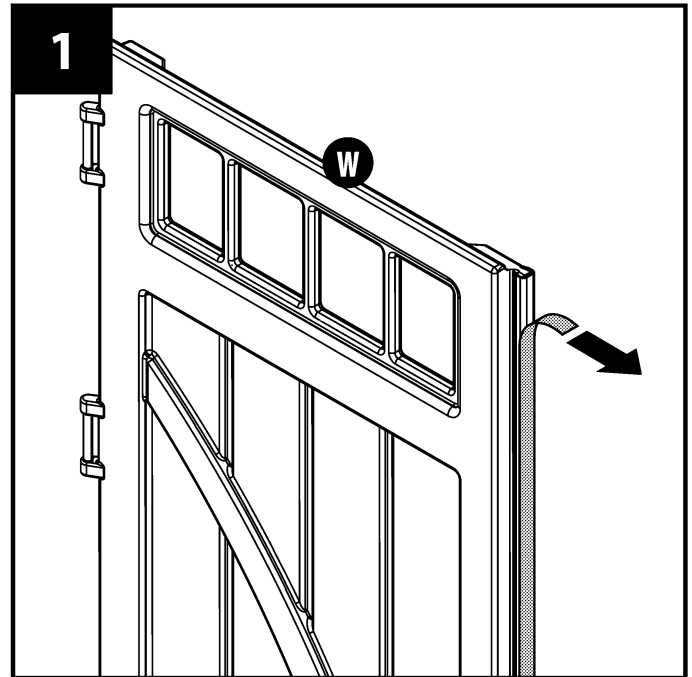
- Secure shed to ground using 12" nails (see below).

If you choose not to construct a foundation, the assembled shed base should be secured to the ground after site preparation is complete. Drill holes through the provided recess areas and insert 12" nails at an angle through the holes in the base and into the ground. 12" nails are available at home centers and hardware stores.

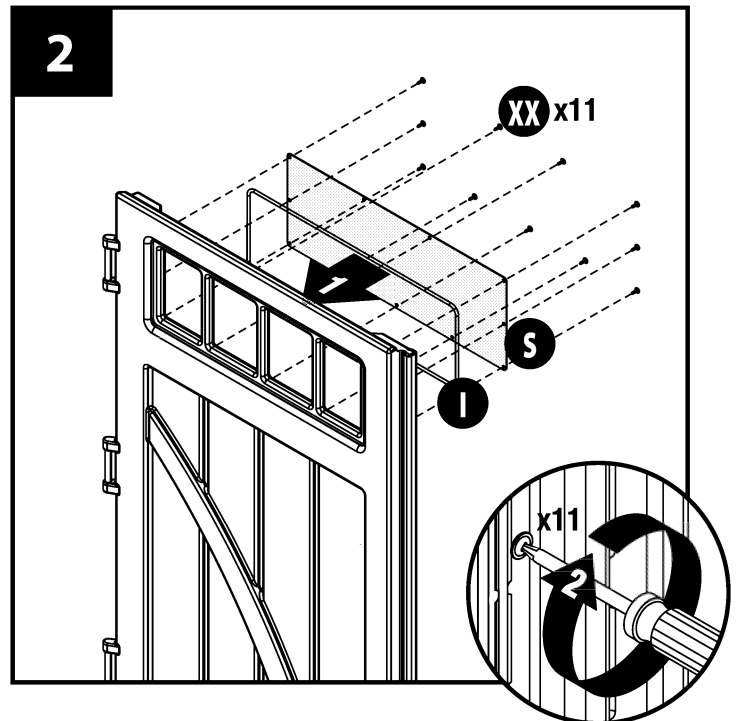


Door Pre-Assembly

Peel plastic film off of door opening edge of both doors (W) (V).

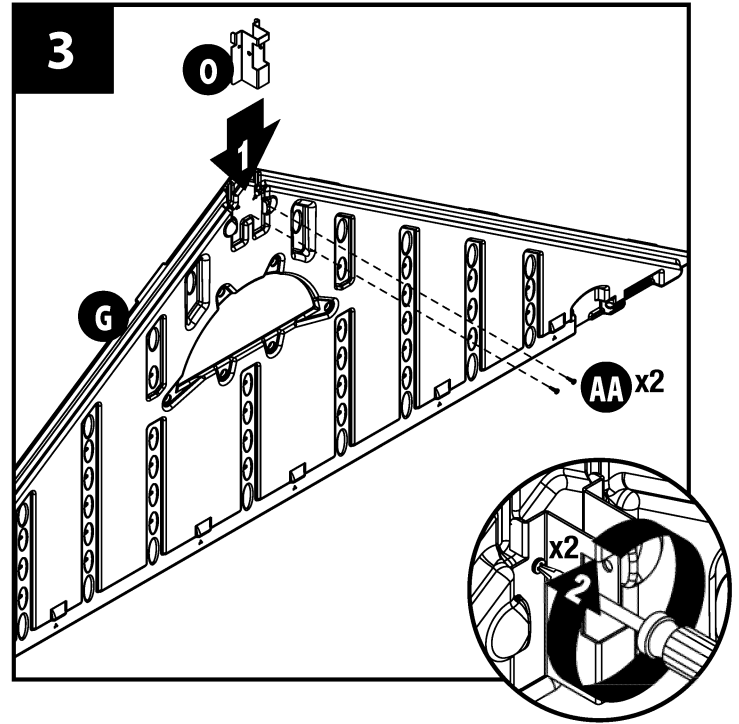


Peel film from both sides of door window (S). Stand left door (W) vertically. With at least two people (one person on each side of door), place the door window gasket (I) followed by the door window (S) into the door channel. Through the back of the door, secure layers with eleven screws (XX) (start with four corner screws and then finish with remaining screws). **DO NOT** over tighten screws. Repeat on right door (V).

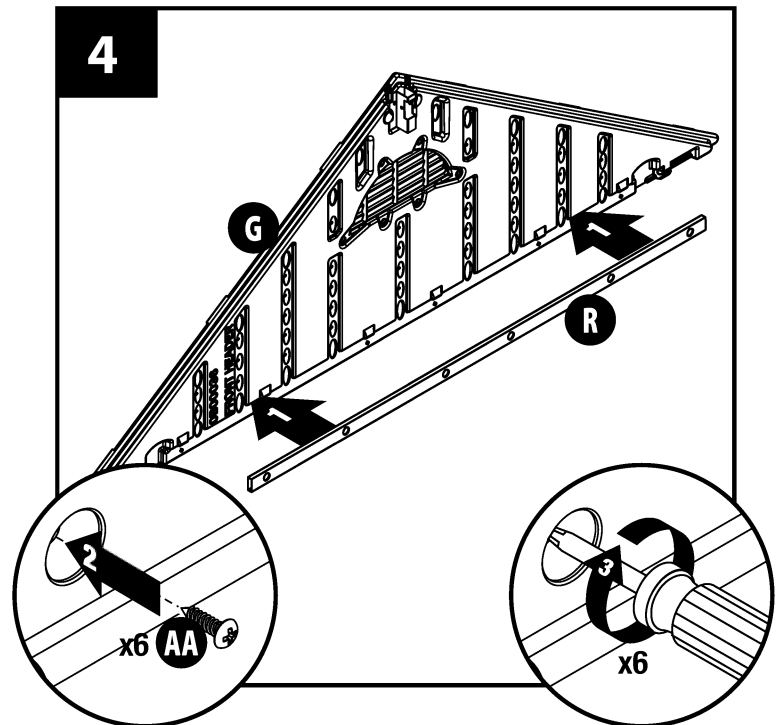


Front Header Pre-Assembly

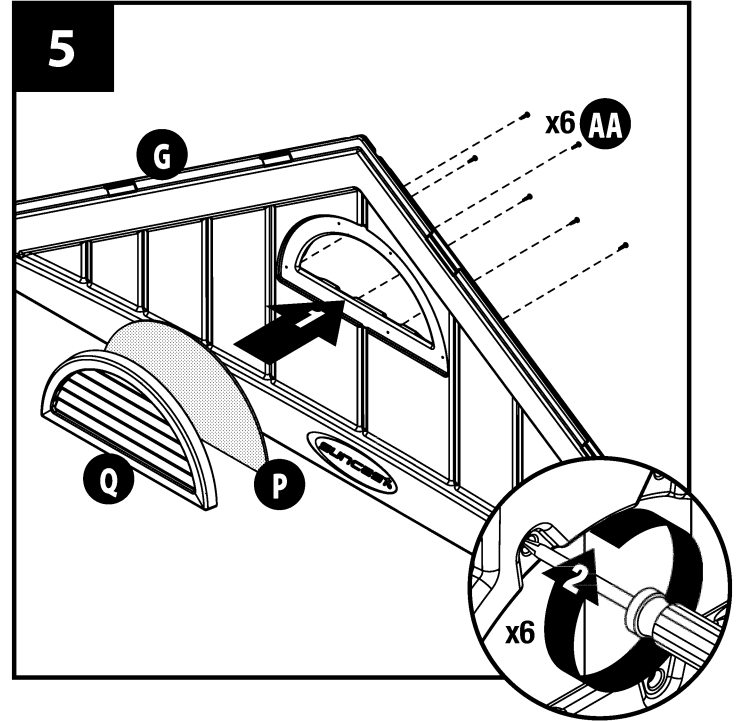
Slide roof ridge beam bracket (O) under tabs on the inside peak of the front header (G) and secure with two screws (AA). **DO NOT** over tighten screws.



Stand front header (G) vertically. With at least two people (one on each side of header), place one header beam (R) into the pocket on the inside of the header. Attach with six screws (AA). **DO NOT** over tighten screws.

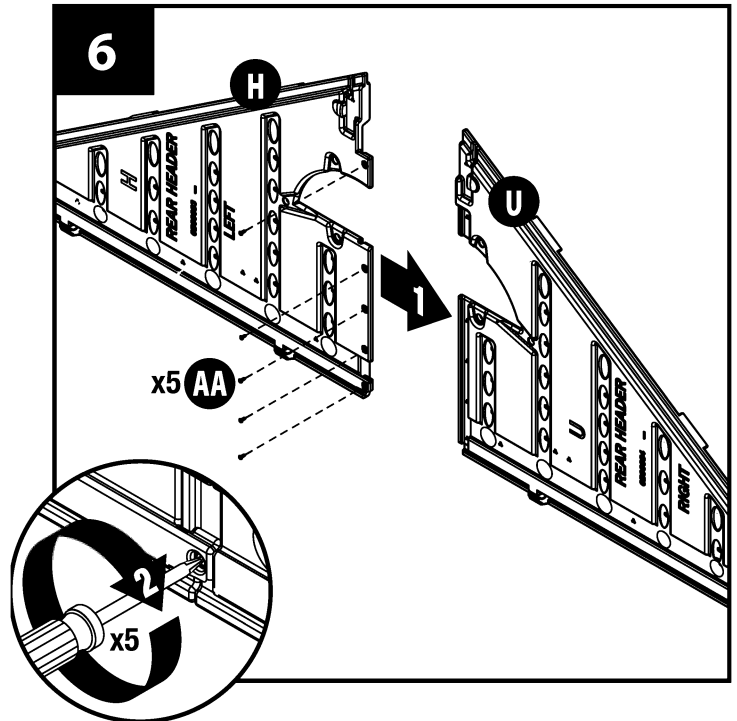


With at least two people (one on each side of header), place vent screen (P), followed by header vent (Q) into front opening in front header (G). Secure through back of header with six screws (AA). **DO NOT** over tighten screws.

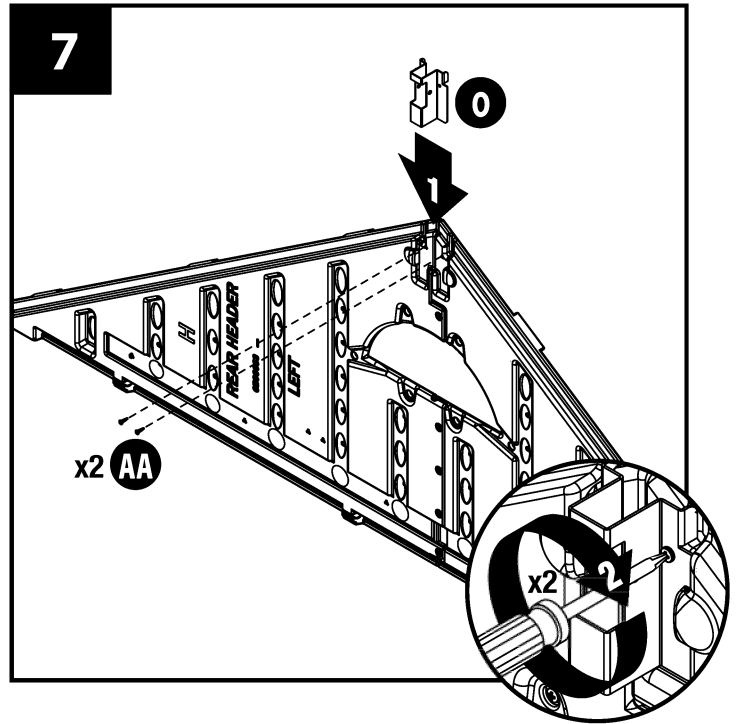


Rear Header Pre-Assembly

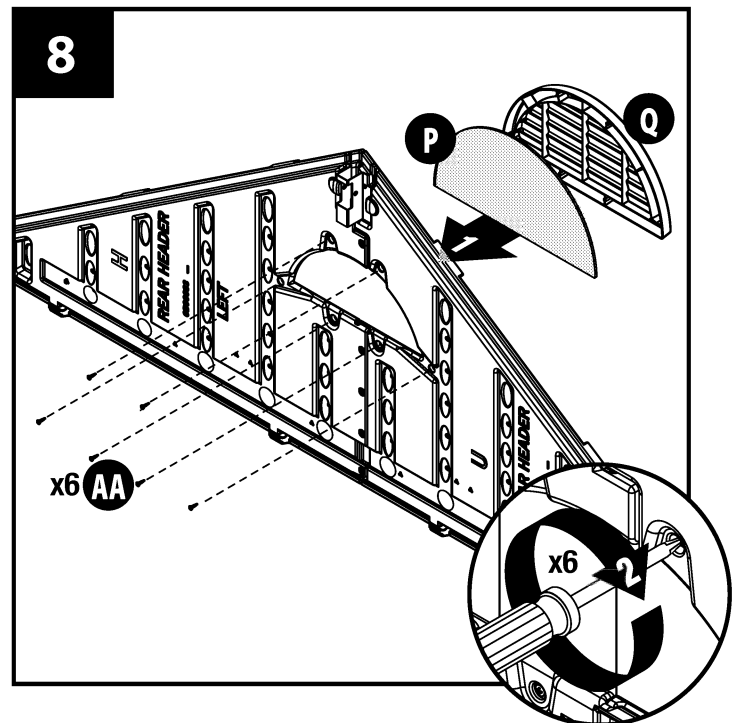
Join left rear header (H) to right rear header (U). Hold halves together and secure with five screws (AA). **DO NOT** over tighten screws.



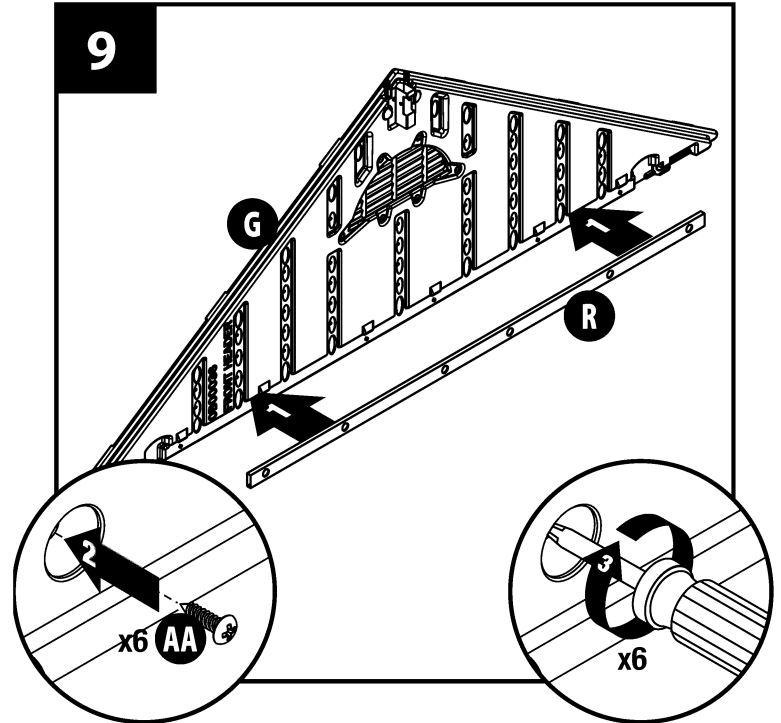
Slide remaining roof ridge beam bracket (O) under the tabs on the inside peak of the rear header assembly. Secure with two screws (AA). **DO NOT** over tighten screws.



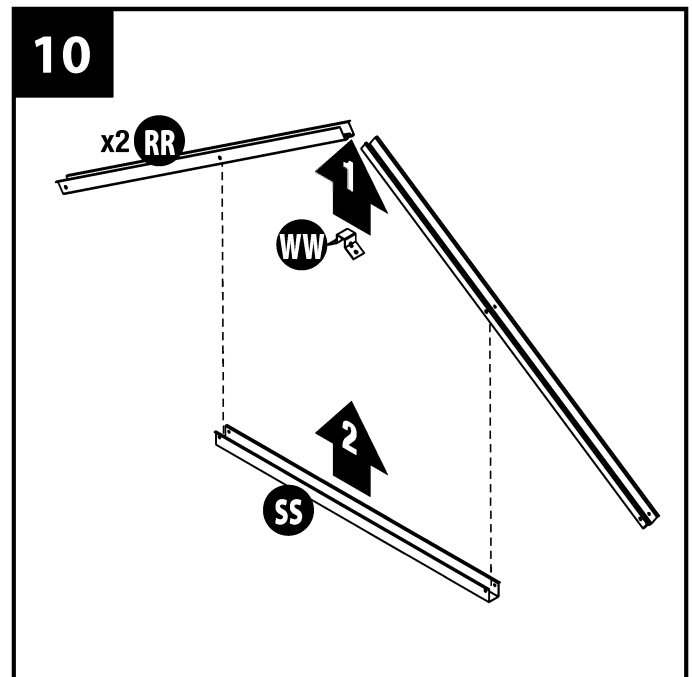
With at least two people (one on each side of header), place vent screen (P), followed by header vent (Q) into front opening in rear header. Secure through back of header with six screws (AA). **DO NOT** over tighten screws.



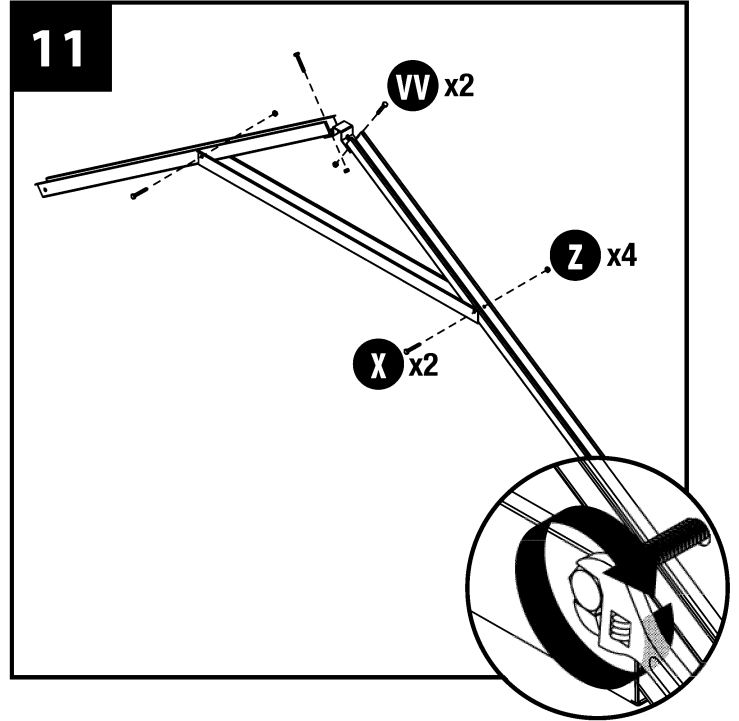
With at least two people (one on each side of header), attach the header beam (R) into pocket on the inside of the header with six screws (AA). **DO NOT** over tighten screws.



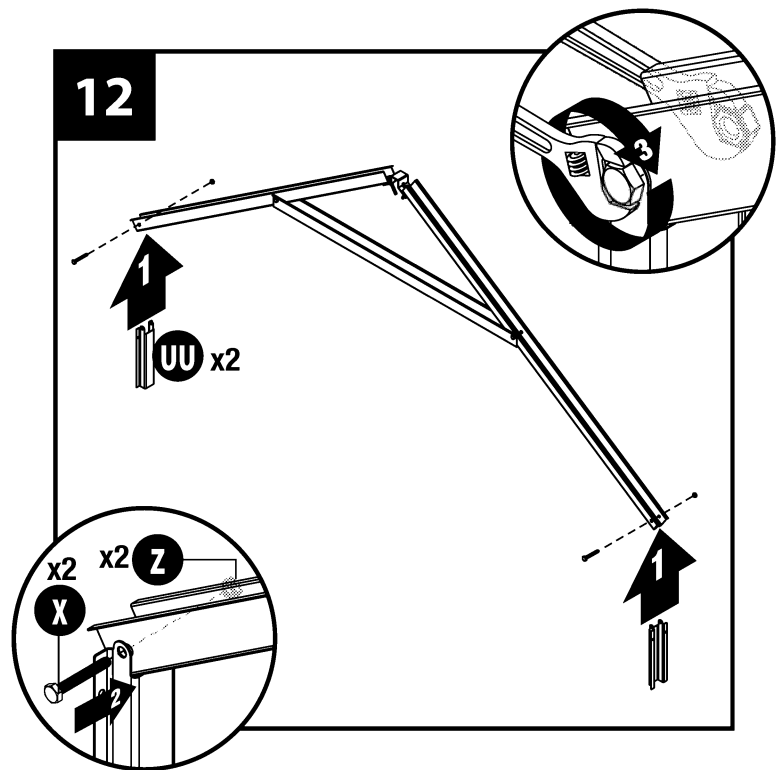
Place one truss leg (RR) at each side of the truss bracket (WW). Place truss cross beam (SS) under both truss legs.



Attach truss legs to truss bracket using one 1" hex head cap screw (VV) and one nut (Z) at each end of bracket. Attach truss cross beam to truss legs using one 2" hex head cap screw (X) and one nut (Z) at each end of cross beam. Stand A-configuration truss on its feet and check cross beam is level.

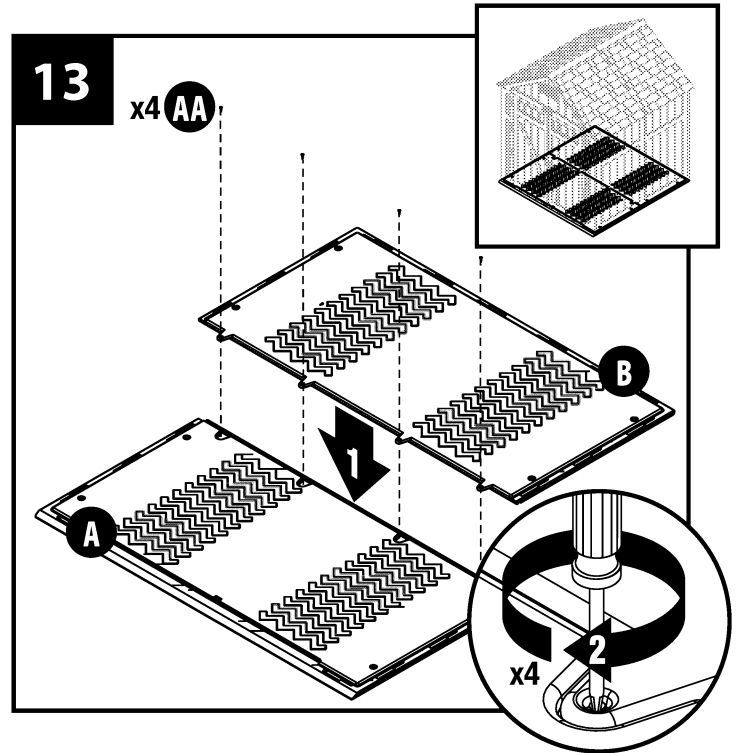


Place one truss tie down (UU) at each end of truss legs. Secure each truss tie down with one 2" hex head cap screw (X) and one nut (Z).

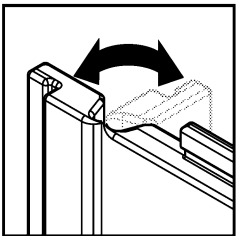


Shed Assembly

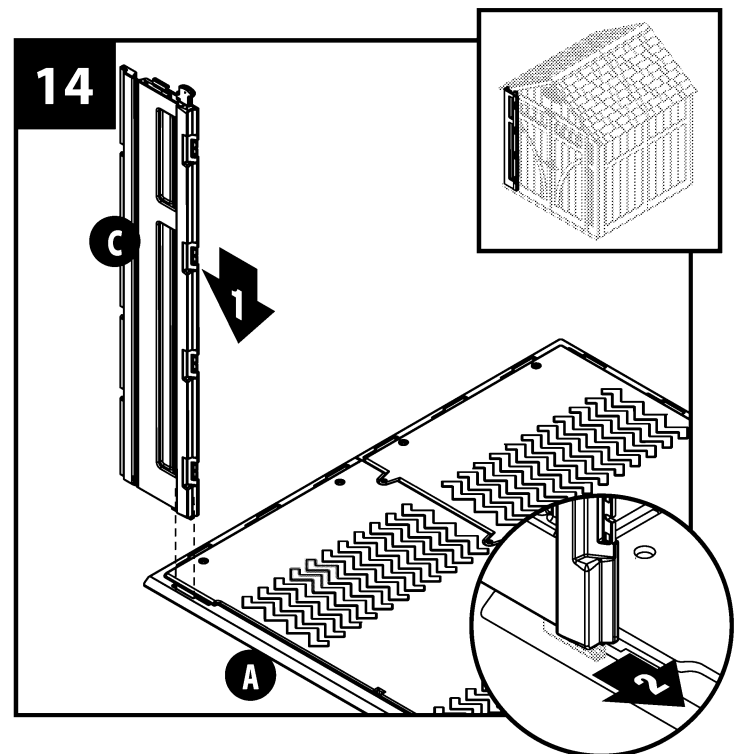
Push floor front (A) and floor rear (B) panels together and secure with four screws (AA).



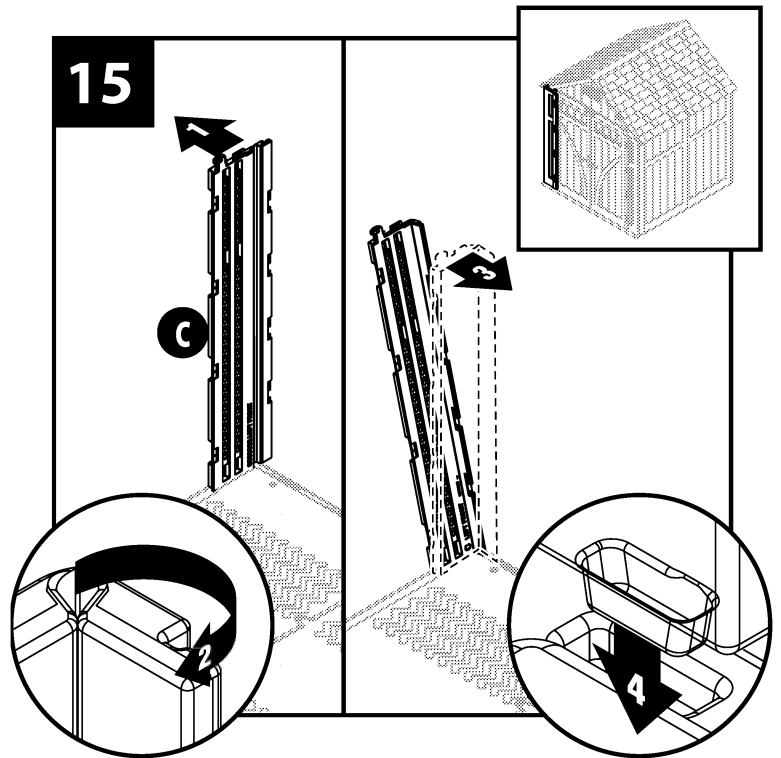
Flex left front panel (C) corner hinge back and forth several times.



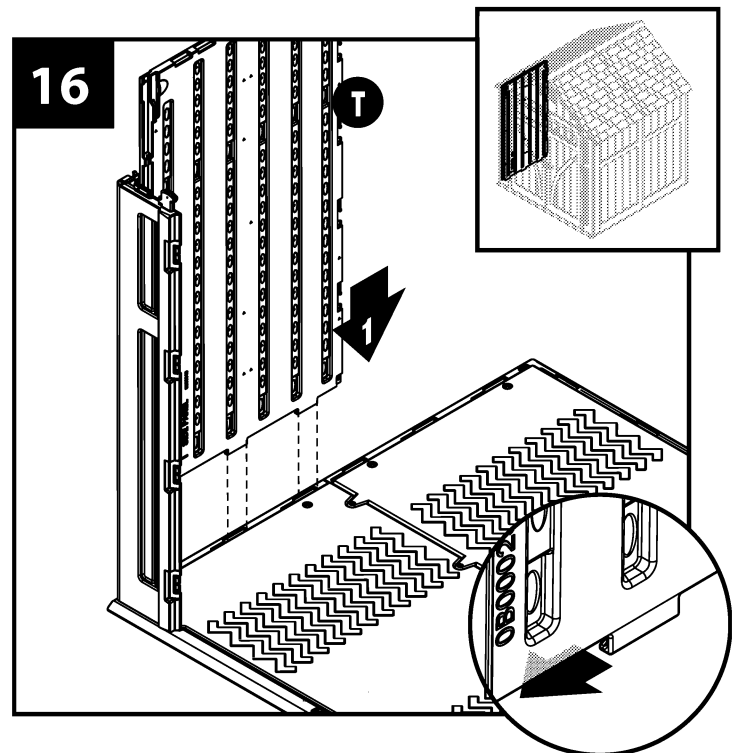
With at least two people, align the tab on the bottom of the left front panel (C) with the slot on floor front (A). Lower the front panel into the slot and lock in place by sliding toward the door opening.



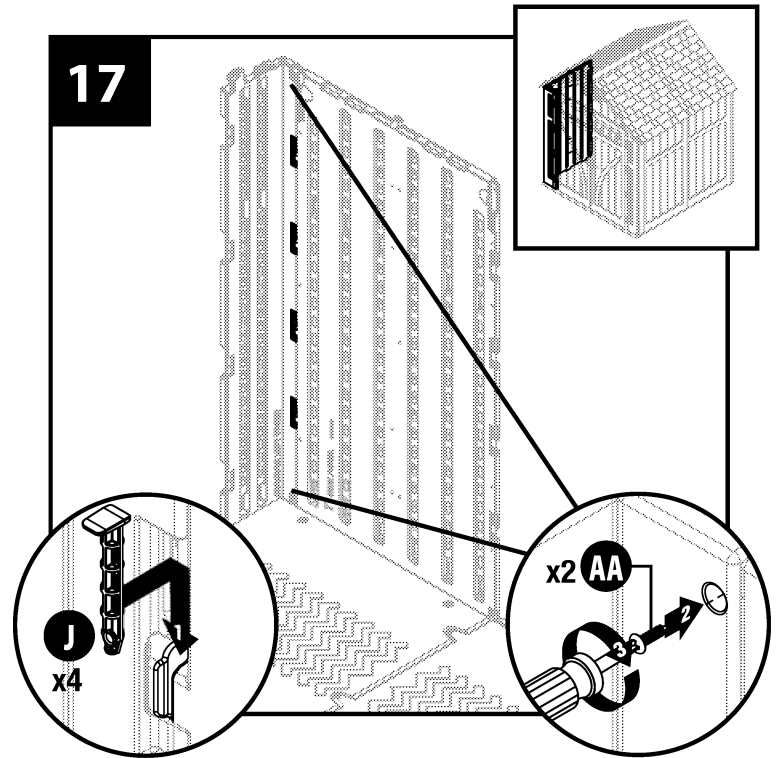
Tip the left front panel outward slightly. Bend the corner hinge, then tip the panel back to vertical position, making sure to align the lower tab on corner hinge with the slot in the floor panel.



With at least two people, align the tabs on the bottom of side panel (T) with the slots along the floor front panel. Lower the panel into the slots and lock in place by sliding the panel toward the corner.

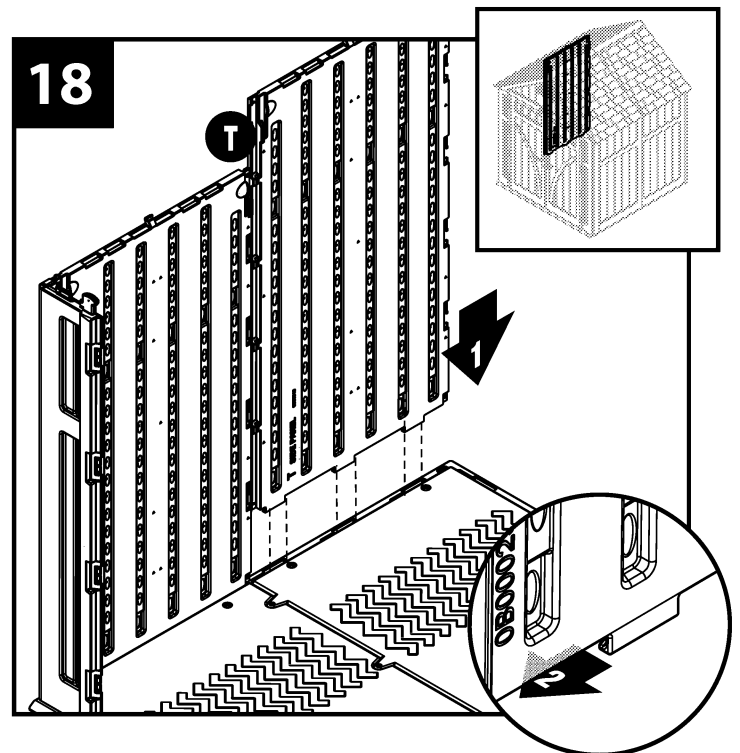


Secure the corner with four panel connector pins (J). From the outside, push the edge of side panel to help align pins. Install one screw (AA) at top and bottom of overlap. **DO NOT** over tighten screws.

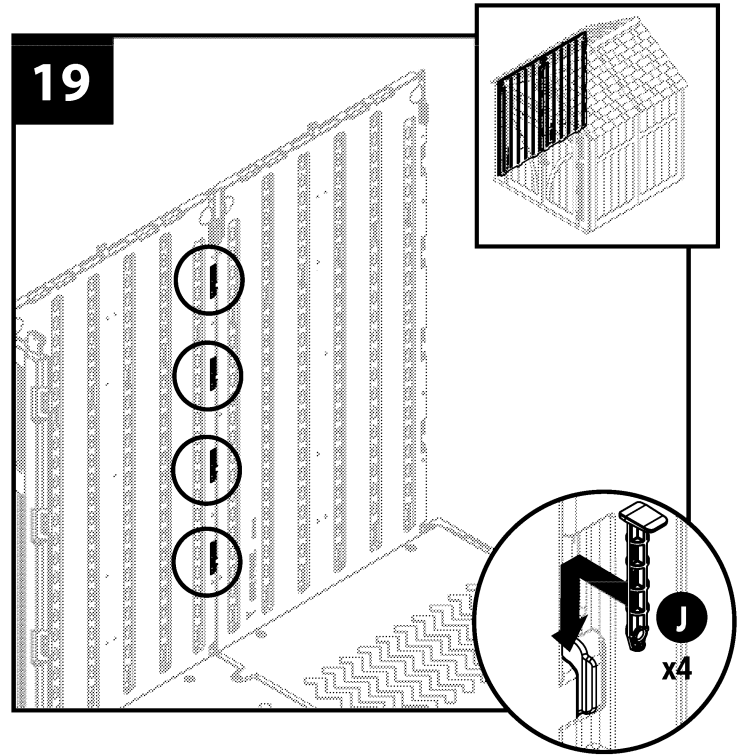


With at least two people, align the tabs on bottom of side panel (T) with slots along floor rear panel. Lower the panel into the slots and lock in place by sliding the panel toward the corner.

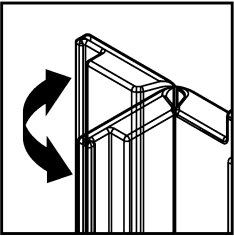
Note: To allow the side panel to overlap previous side panel, tilt out slightly as you slide it into position.



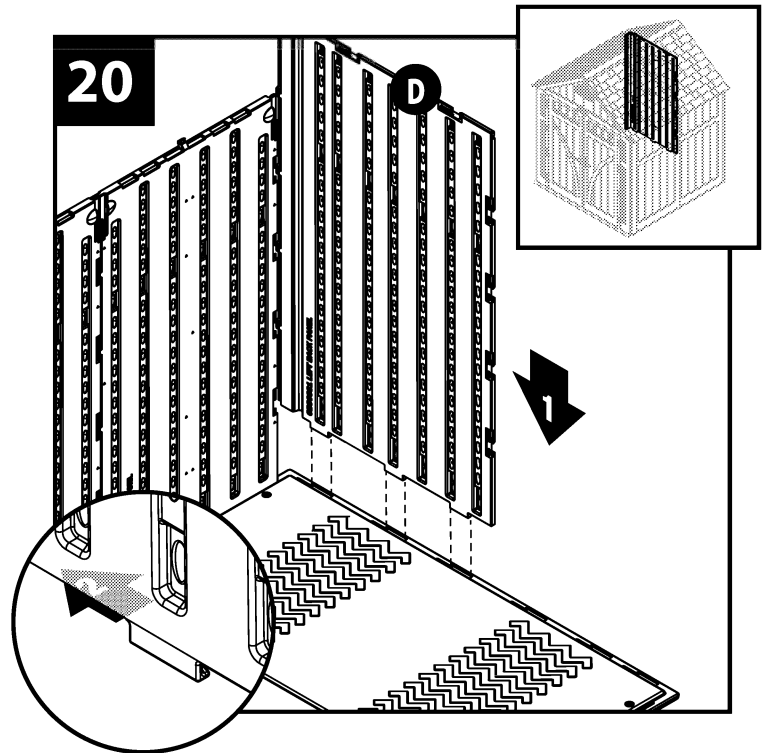
Secure the two side panels with four panel connector pins (J). From the outside, push the edge of side panel to help align pins.



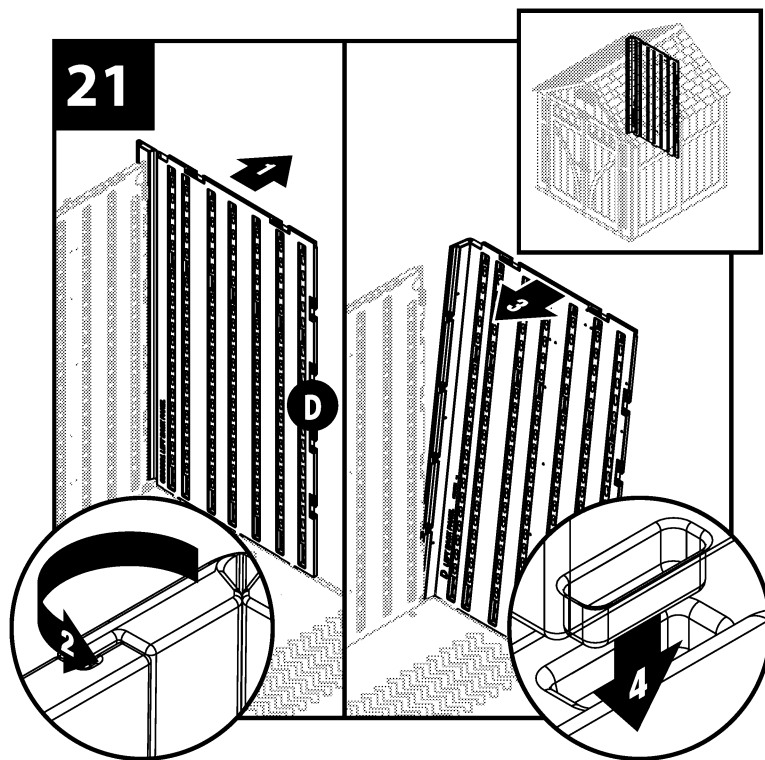
Flex left back panel (D) corner hinge back and forth several times.



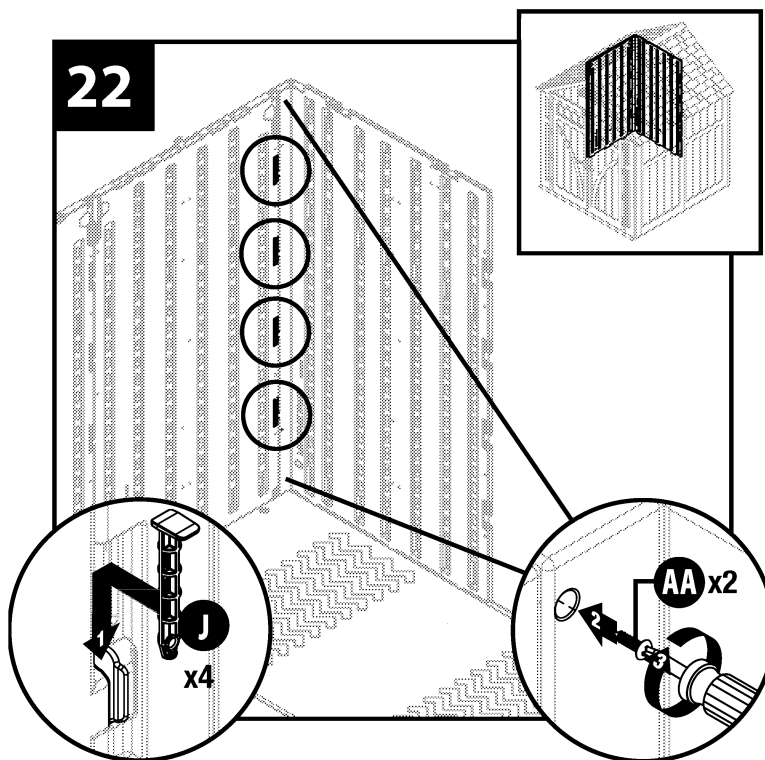
With at least two people, align the tabs on bottom of left back panel (D) with slots along floor rear panel. Lower the panel into the slots and lock in place by sliding toward corner.



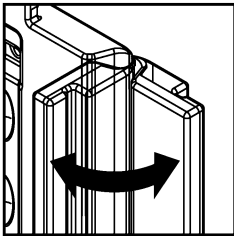
Tip the left back panel (D) outward slightly. Bend the corner hinge, then tip the panel back to vertical position making sure to align the lower tab on corner hinge with the slot in the floor rear panel.



Secure with four panel connector pins (J). From the outside, push the edge of left back panel to help align pins. Install one screw (AA) at top and bottom of overlap. **DO NOT** over tighten screws.

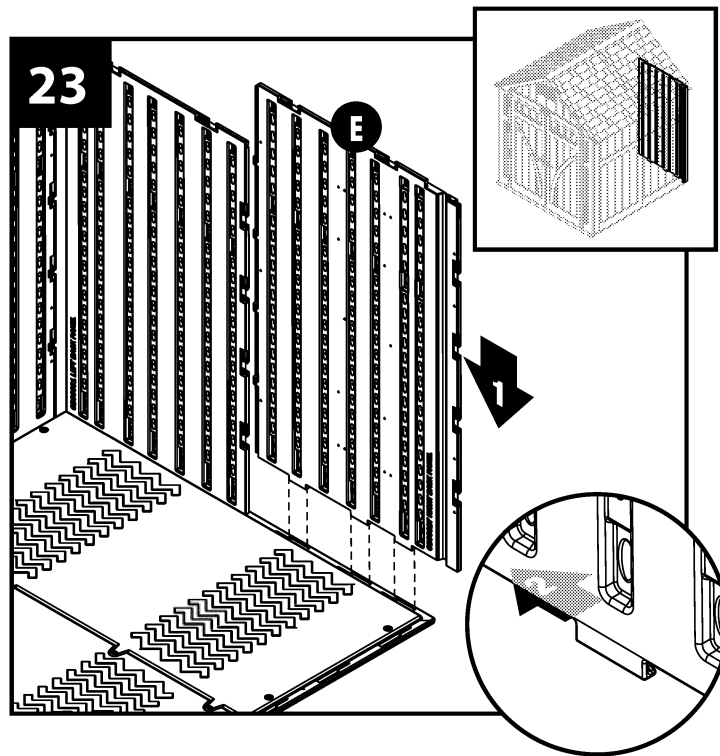


Flex right back panel (E) corner hinge back and forth several times.

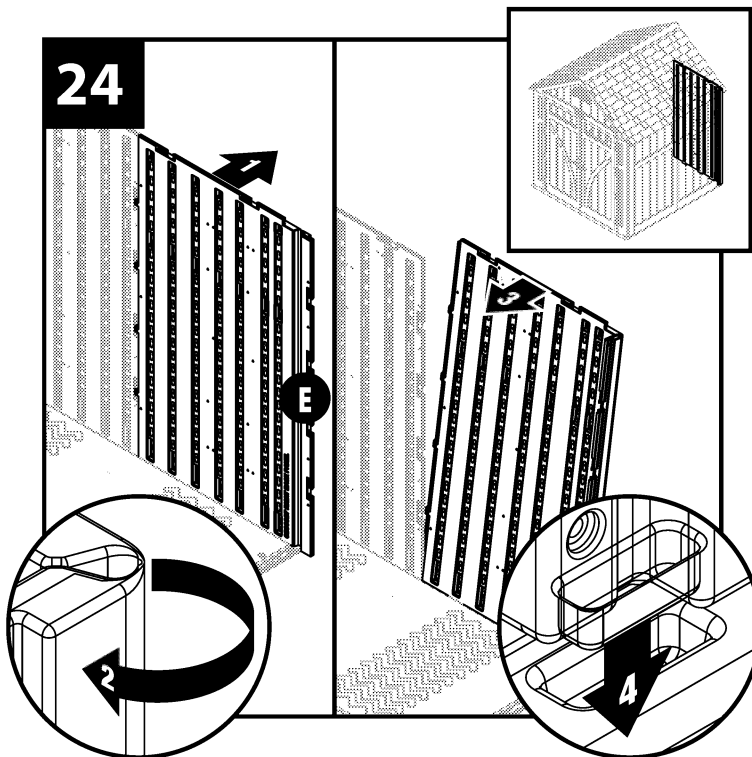


With at least two people, align the tabs on bottom of right back panel (E) with slots along floor rear panel. Lower the panel into the slots and lock in place by sliding the panel toward the corner.

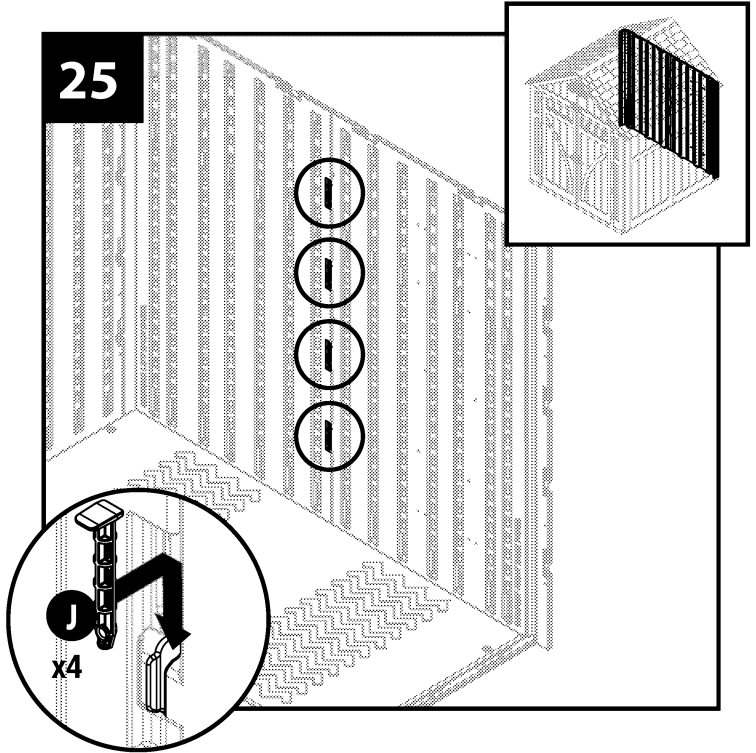
Note: To allow the right back panel to overlap left back panel, tilt slightly as you slide it into position.



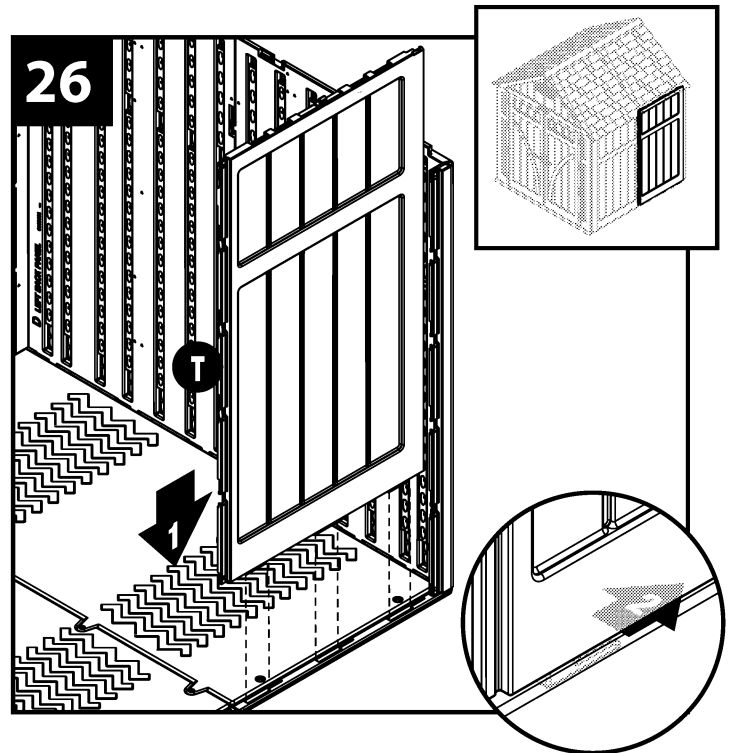
Tip the right back panel (E) outward slightly. Bend the corner hinge, then tip the panel back to vertical position making sure to align the lower tab on corner hinge with the slot in the floor rear panel.



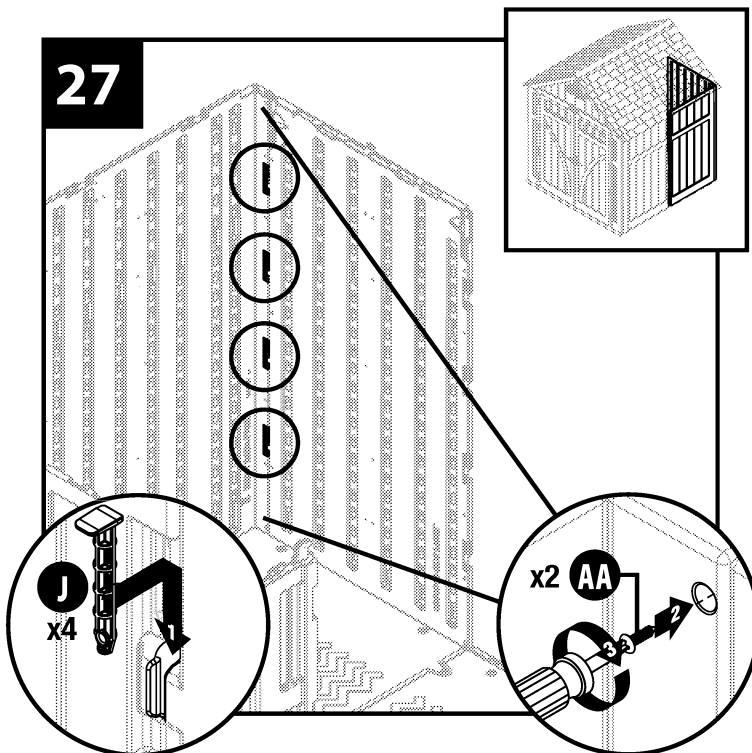
Secure the two back panels together with four panel connector pins (J). From the outside, push the edge of right back panel to help align pins.



With at least two people, align the tabs on bottom of side panel (T) with slots along floor rear panel. Lower the panel into the slots and lock in place by sliding the panel toward the corner.

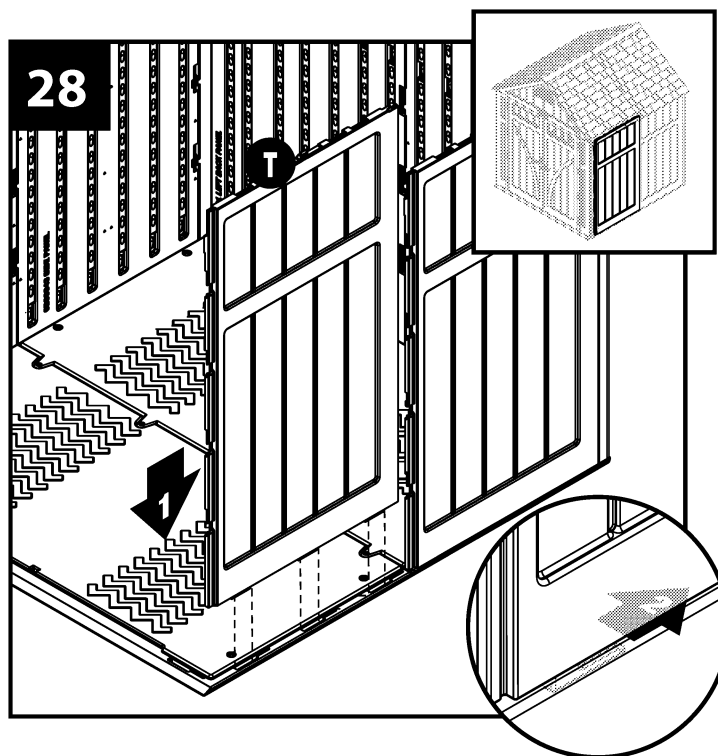


Secure side panel with four panel connector pins (J). From the outside, push the edge of side panel to help align pins. Install one screw (AA) at top and bottom of overlap. **DO NOT** over tighten screws.

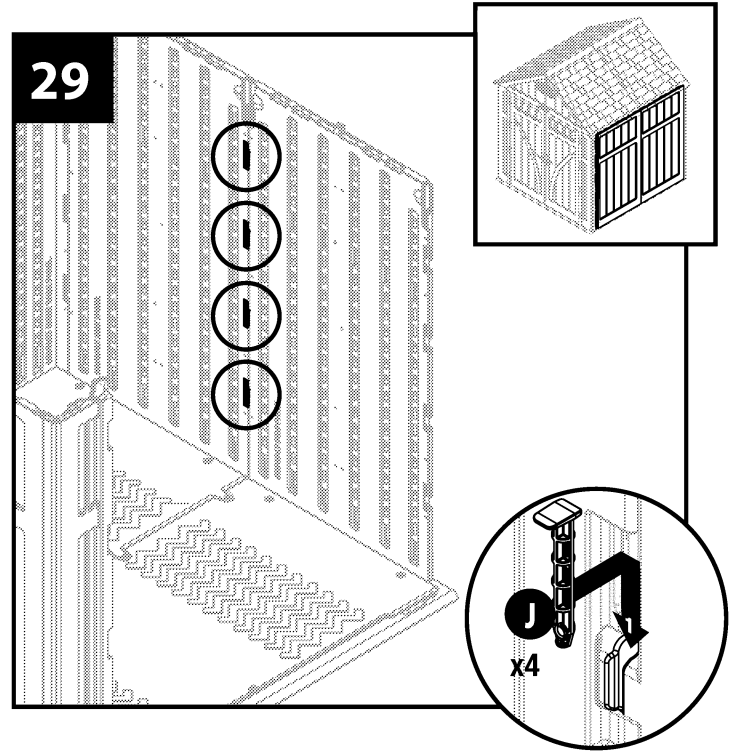


With at least two people, align the tabs on bottom of side panel (T) with slots along floor front panel. Lower the panel into the slots and lock in place by sliding the panel toward the corner.

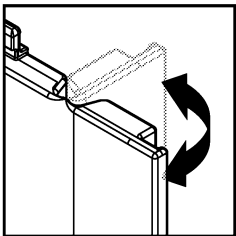
Note: To allow the side panel to overlap previous side panel, tilt out slightly as you slide it into position.



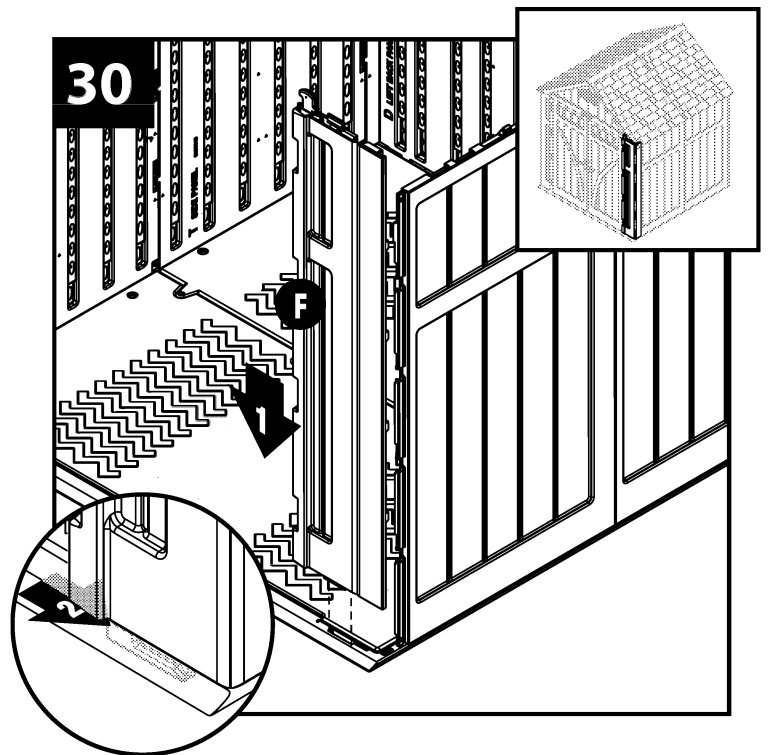
Secure side panel with four panel connector pins (J). From the outside, push the edge of side panel to help align pins.



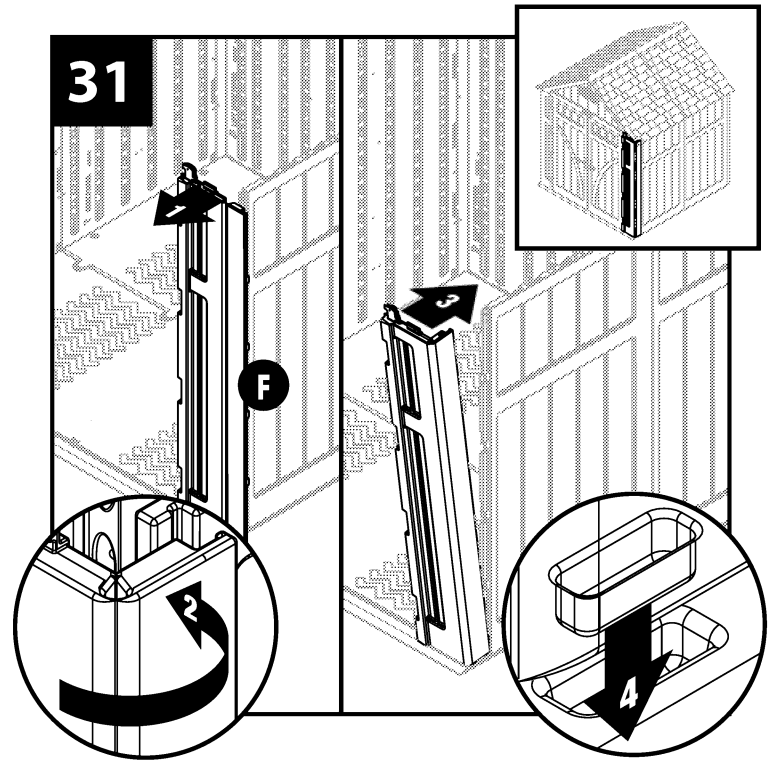
Flex right front panel (F) corner hinge back and forth several times.



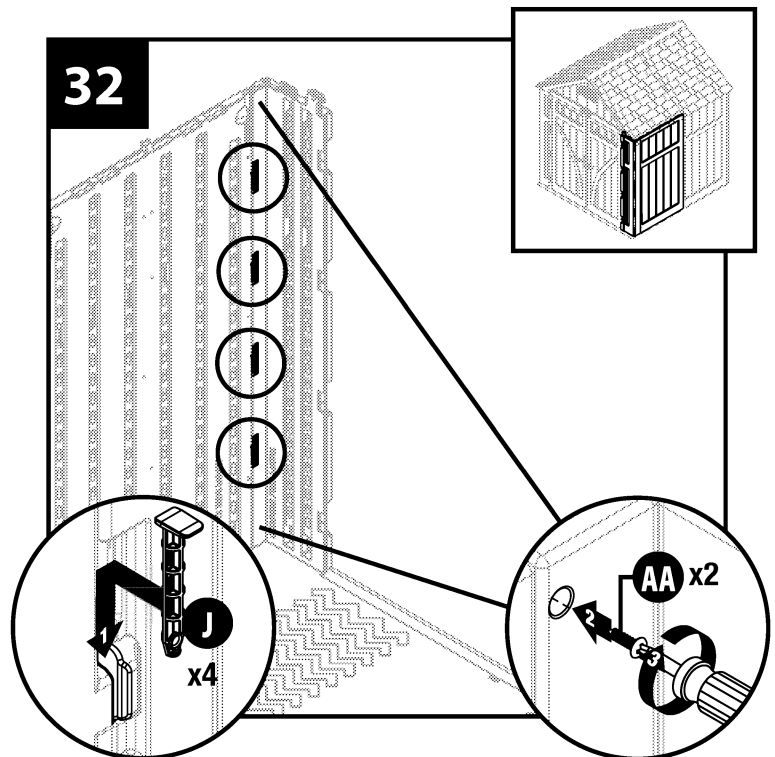
With at least two people, align tab on bottom of right front panel (F) with slot on floor front. Lower the panel into the slot and lock in place by sliding the panel toward the corner.



Tip the right front panel (F) outward slightly. Bend the corner hinge, then tip the panel back to vertical position making sure to align the lower tab on corner hinge with the slot in the floor front panel.

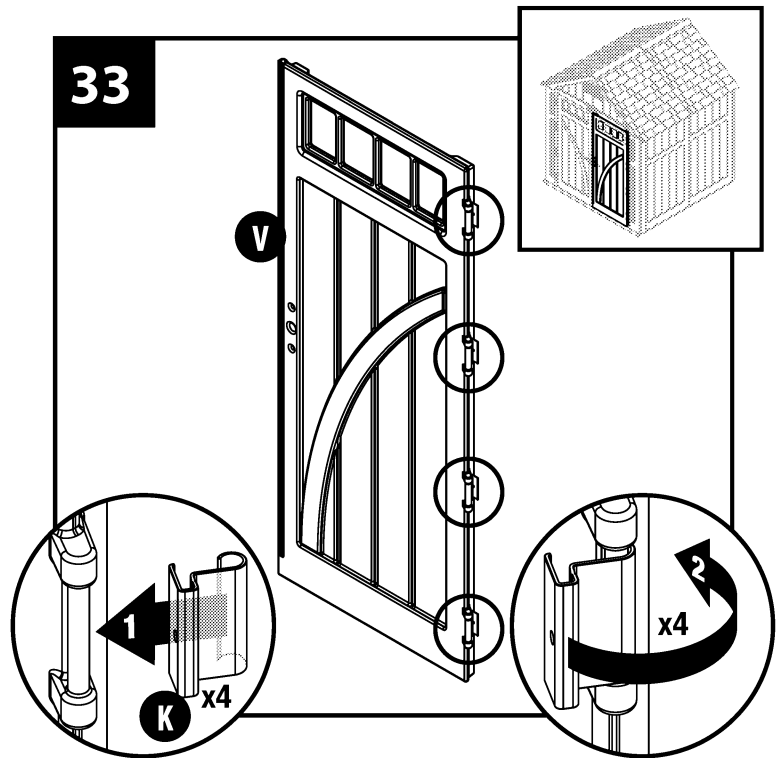


Secure with four panel connector pins (J). Install one screw (AA) at top and bottom of overlap. **DO NOT** over tighten screws.

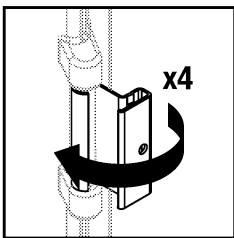


Stand the right door (V) upright with the four hinge mounts facing right. Attach one metal hinge plate (K) to each hinge mount. Rotate the hinge plates to the inside of the door.

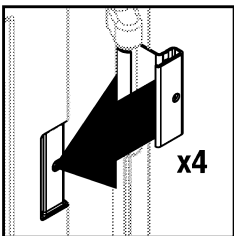
Repeat for left door (W).



With right door upright, rotate hinge plates to open position.

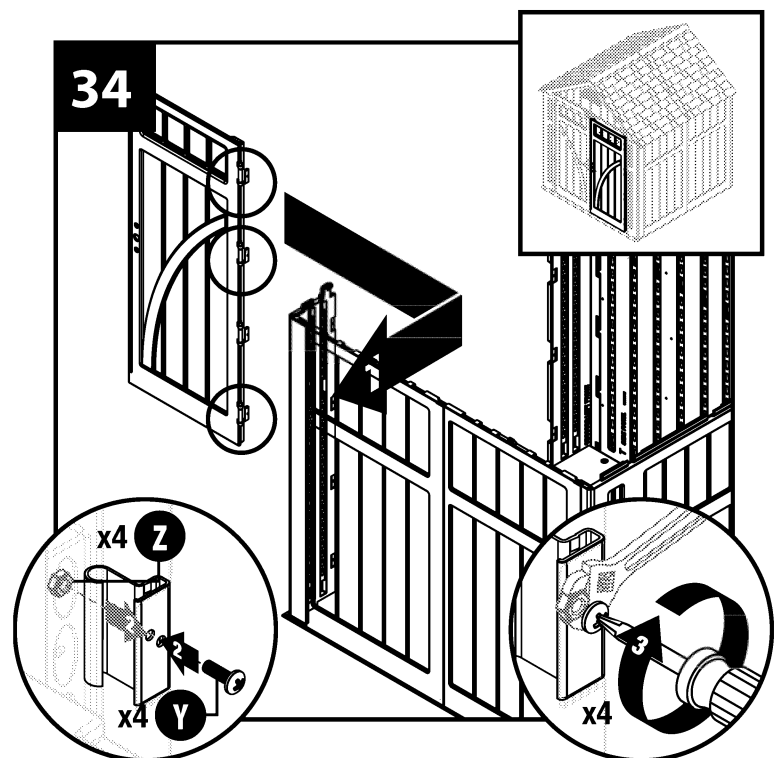


Attach one hinge plate to each hinge receptacle on the inside of right front panel



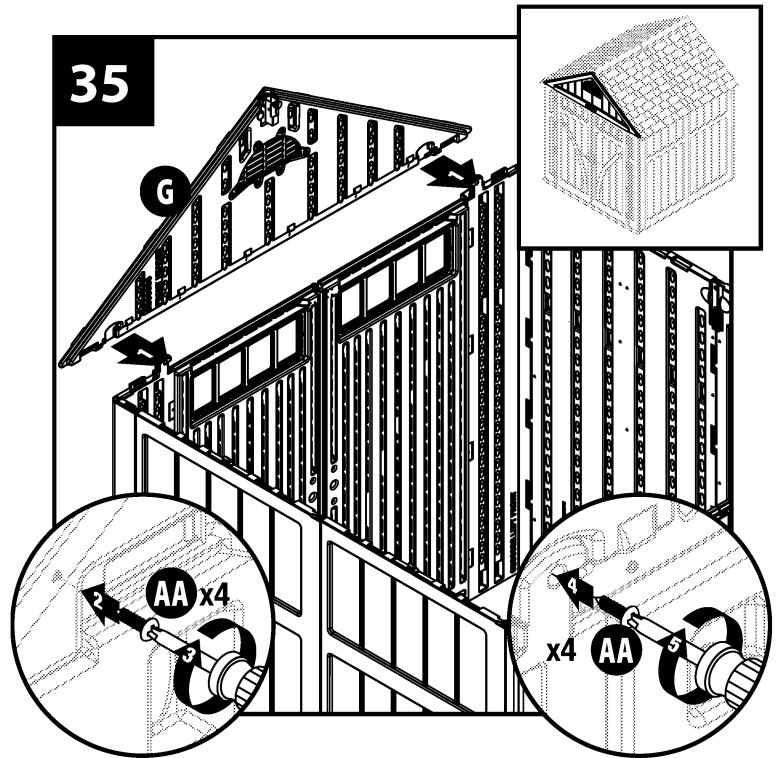
Secure each hinge with one screw (Y) and one nut (Z).

Repeat for left door (W).

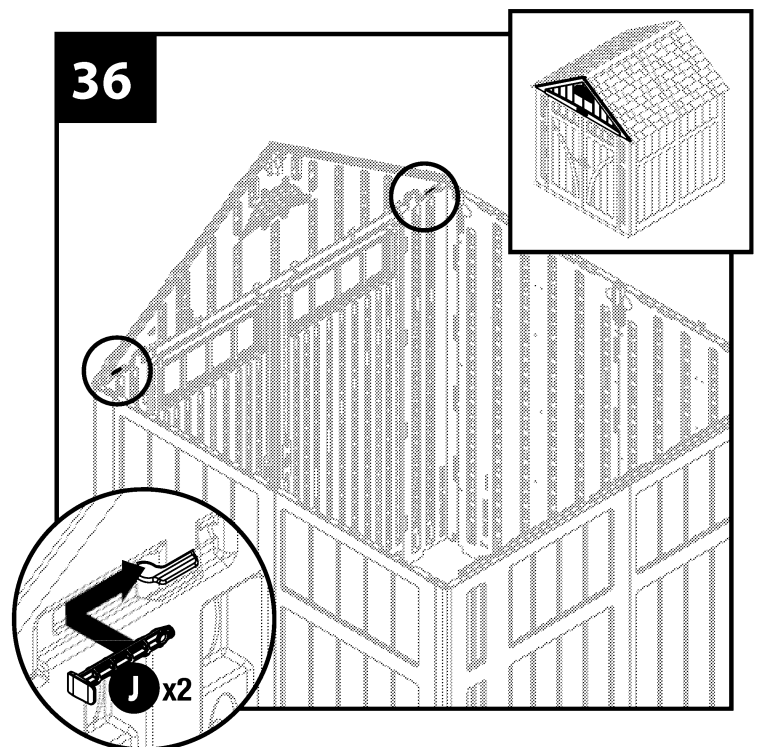


With at least two people, place front header (G) over the door opening and fit the two protruding support legs on the left and right front panels into the pockets molded in the header panel. Secure the support legs in the pockets using two screws (AA) in each leg.

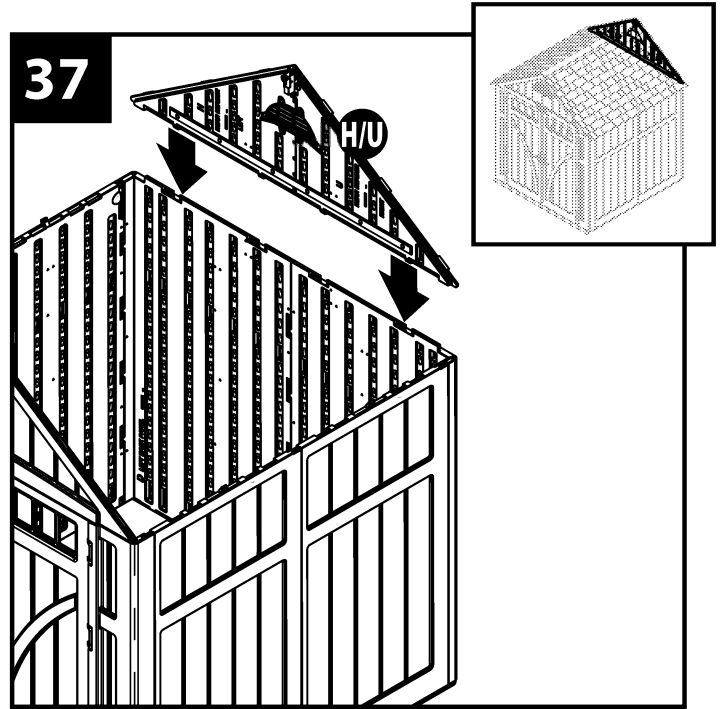
Note: DO NOT leave header unsupported until beam assembly is complete (step 42).



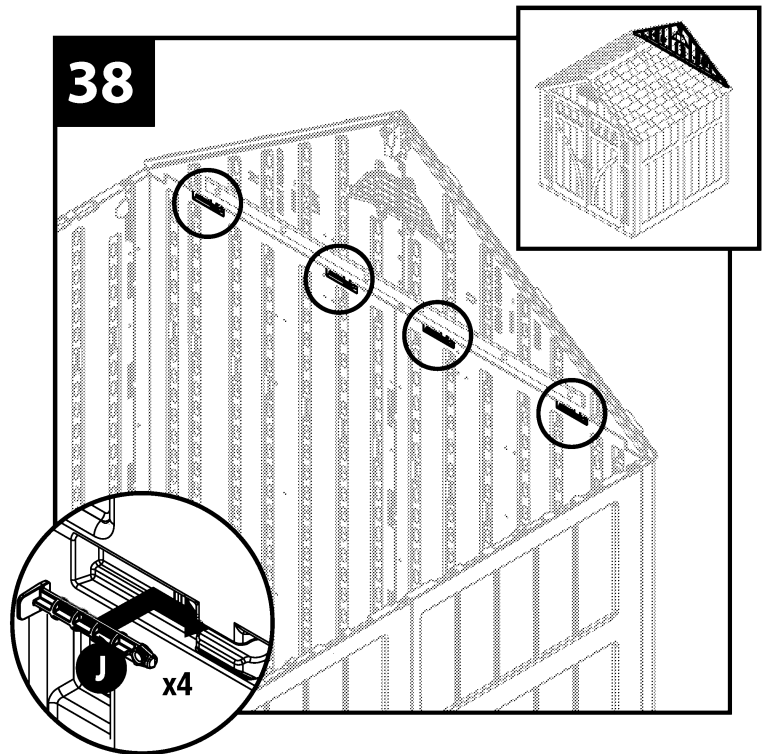
Secure the front header with two panel connector pins (J).



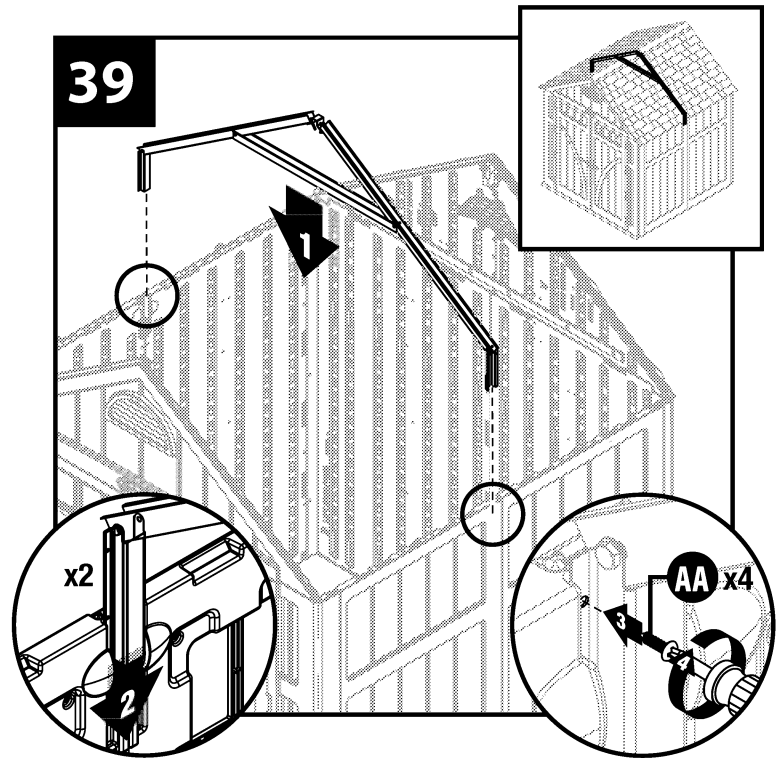
With at least two people, place the rear header assembly (H/U) on top of the back panel wall.



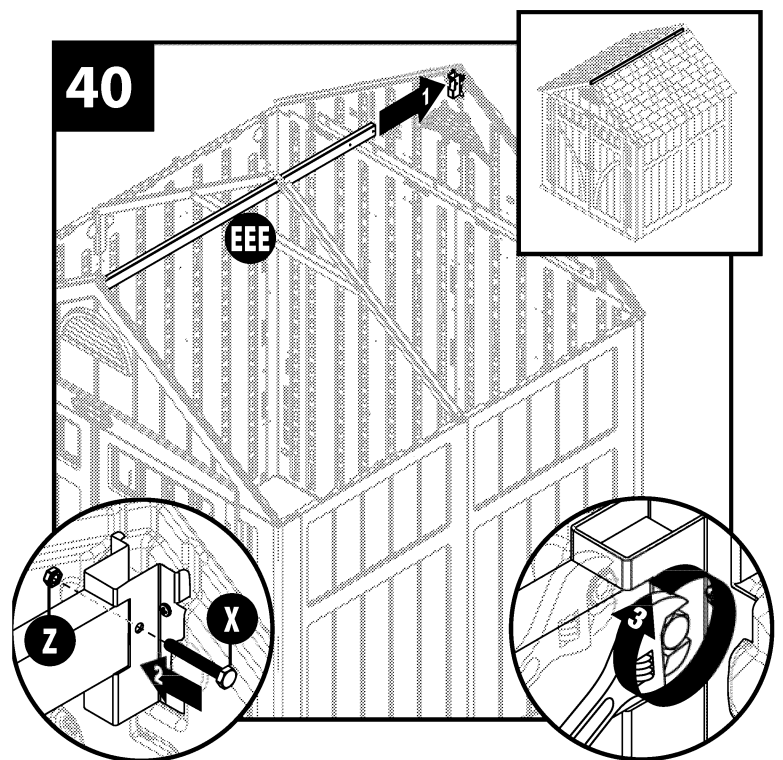
With at least two people, secure header assembly with four panel connector pins (J).



With at least two people, slide the truss assembly into place then secure to side panels with two screws (AA) in each bracket.

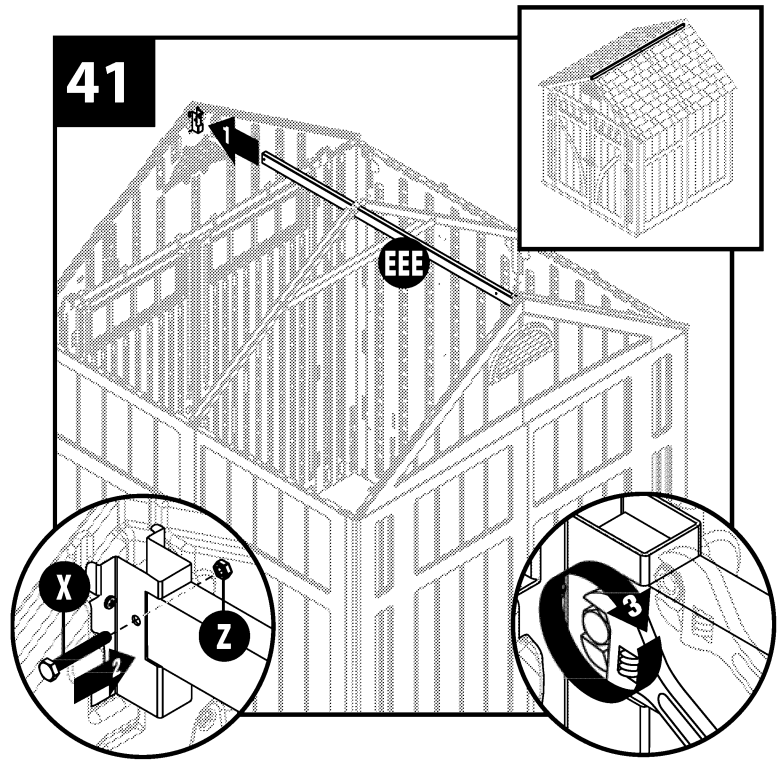


With at least two people, raise the ridge beam (EEE) up and into the rear roof ridge beam bracket. Secure with one 2" hex head cap screw (X) and one nut (Z).

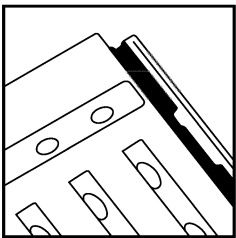


With at least two people, push the ridge beam (EEE) toward the rear to clear the front roof ridge beam bracket. Then, insert beam into front bracket. Secure with one 2" hex head cap screw (X) and one nut (Z).

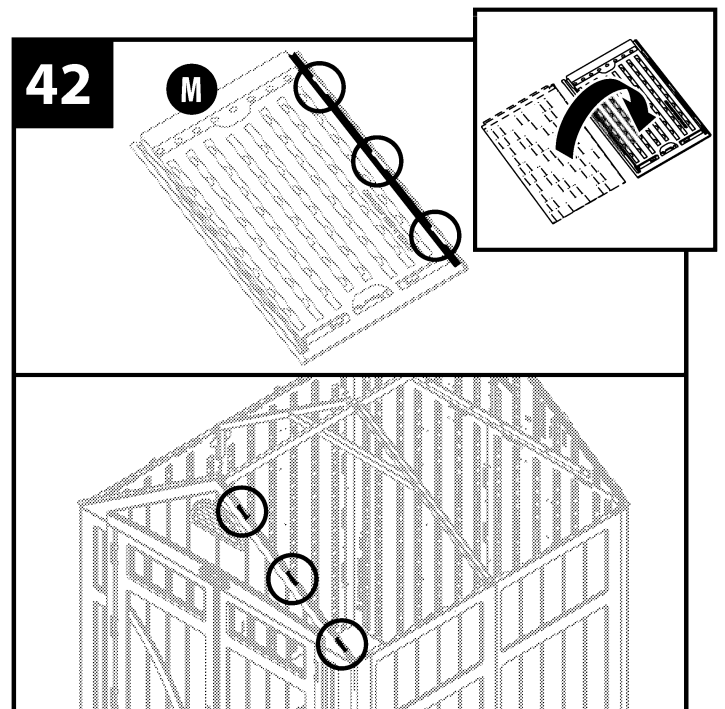
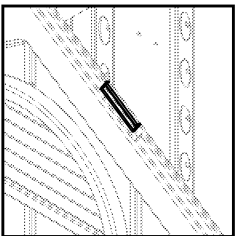
CAUTION: Be very careful positioning ridge beam to avoid harm to persons or damage to property. **DO NOT** stand beneath beam until it is secured with screws and nuts.



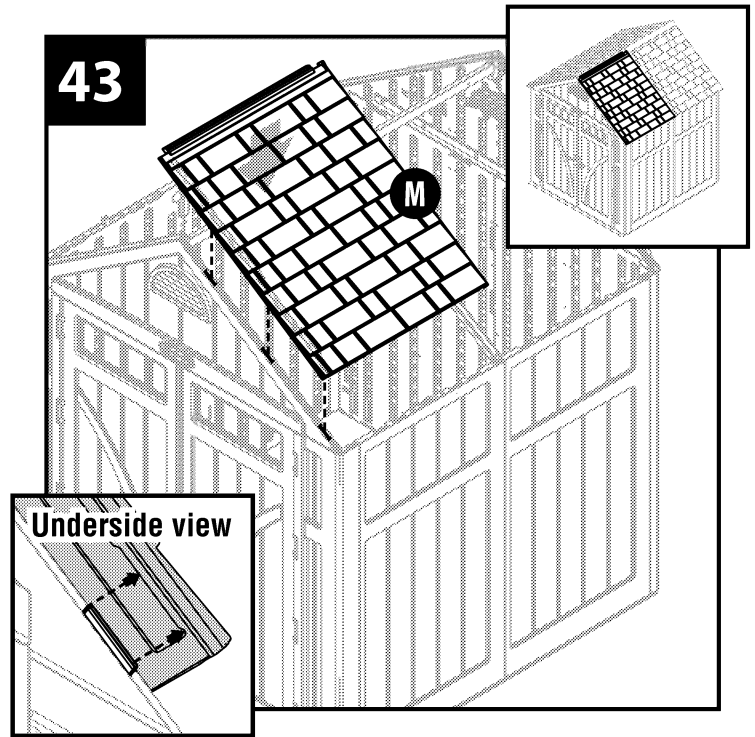
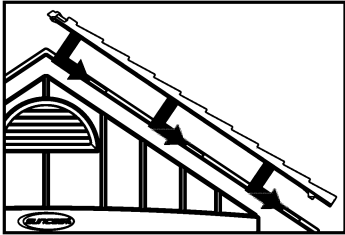
Locate and identify channels on interior side of one right roof (M) panel. Locate three underside tabs contained within the channels.



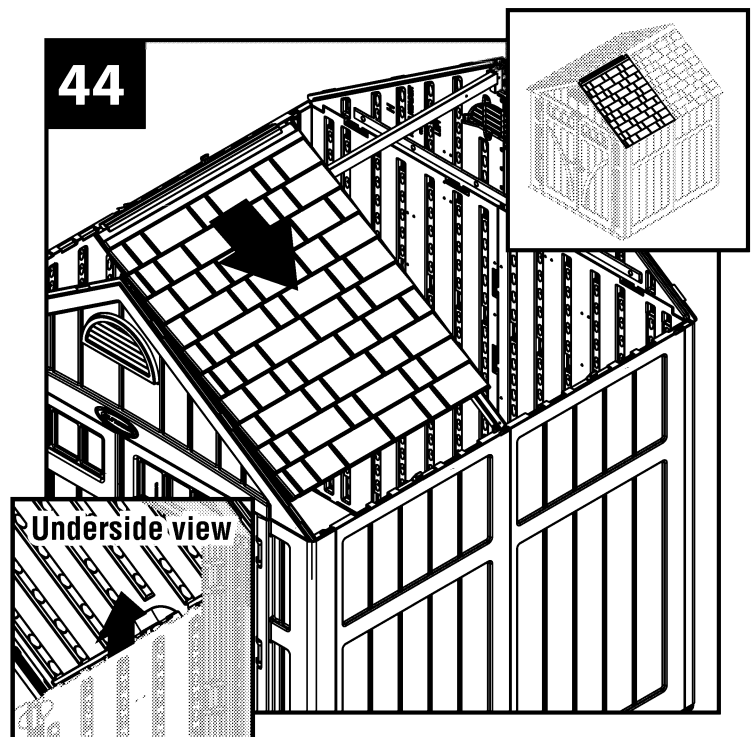
Locate and identify the three front header tabs.



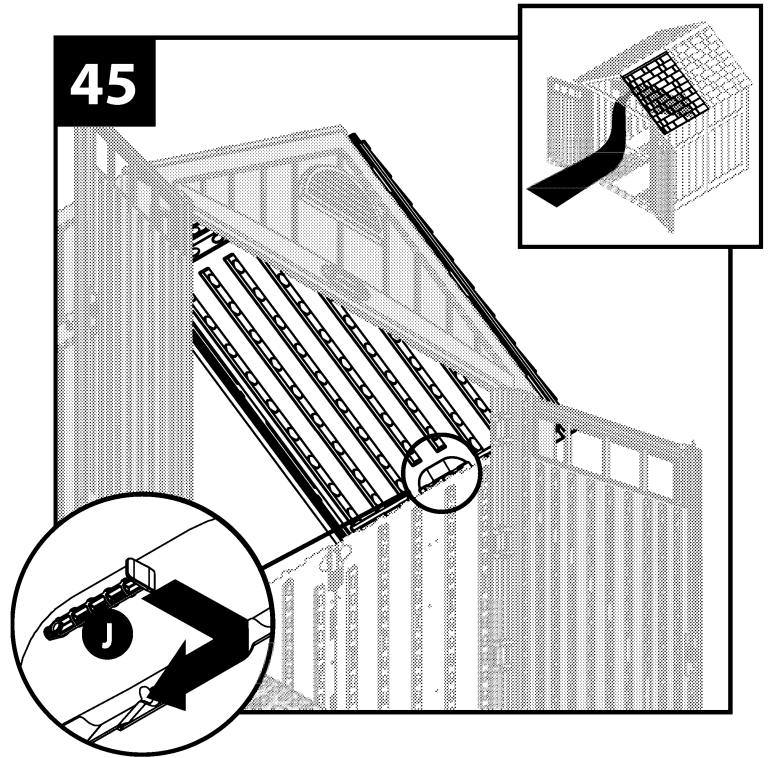
With at least two people, lay right roof (M) over the right edge of front header and three inches above the ridge beam. Align the channels in the roof panel with the front header tabs.



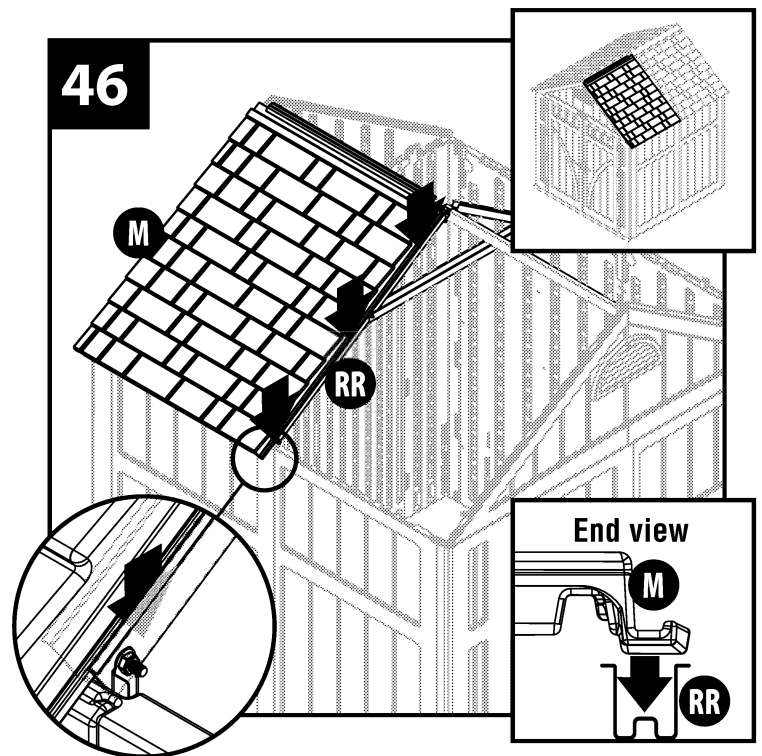
With at least two people, slide the roof panel down the slope into its final position while engaging tabs and channels (while sliding roof panel down, one person on inside of shed needs to push up on roof panel so it clears top of side panel).



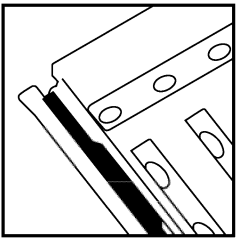
From the interior of the shed, secure right roof panel into place using panel connector pin (J) on side panel.



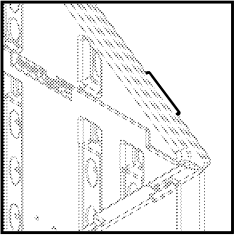
Press edge of right roof (M) panel into channel on truss leg (RR).



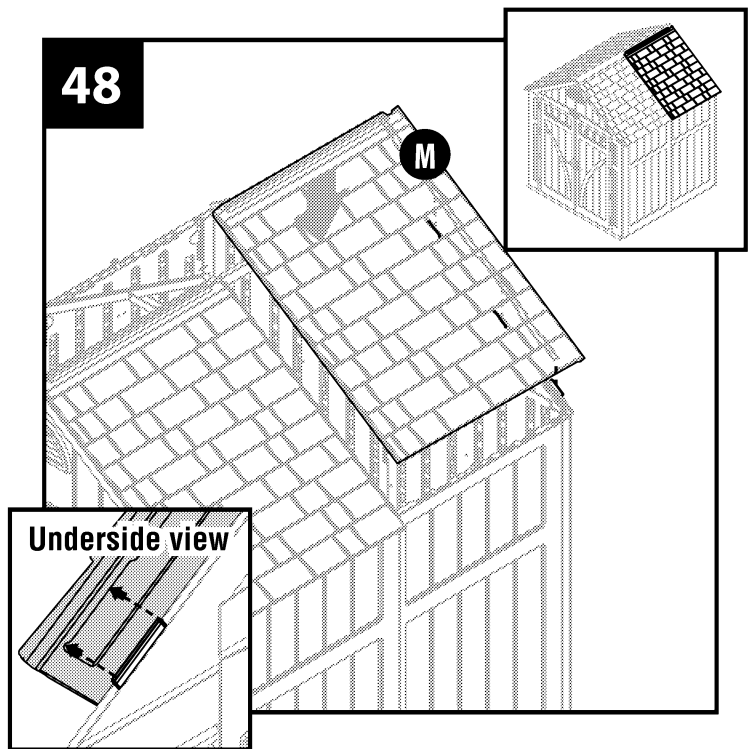
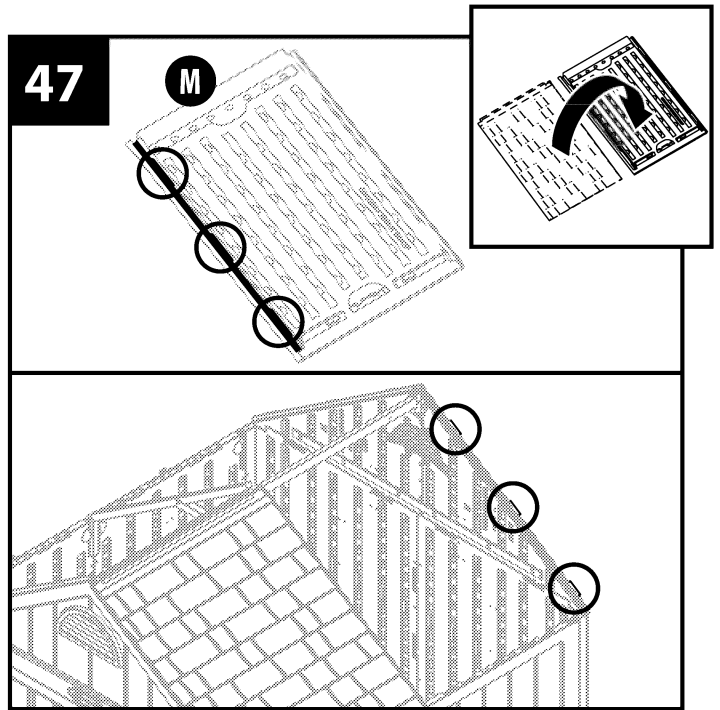
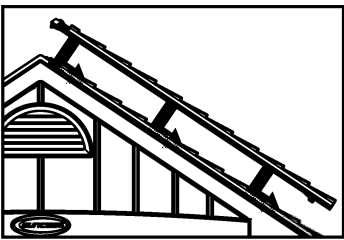
Locate and identify channels on interior side of remaining right roof (M) panel. Locate three underside tabs contained within the channels.



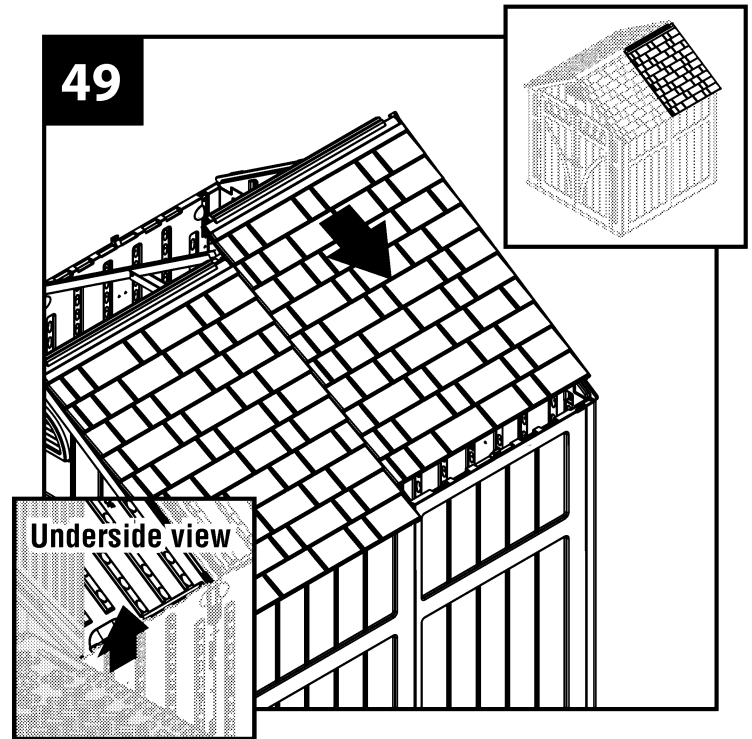
Locate and identify the three rear header tabs.



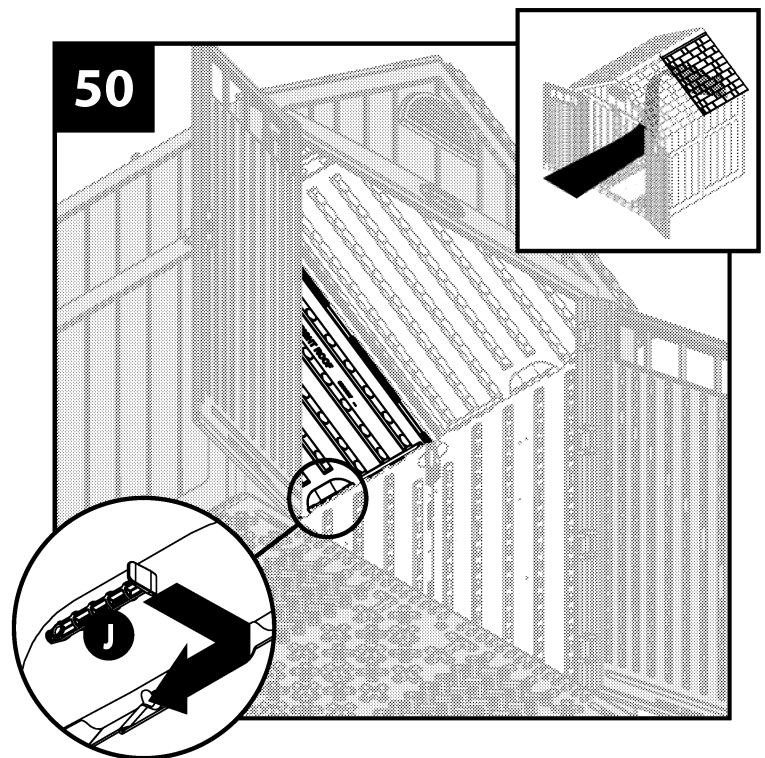
With at least two people, lay remaining right roof (M) panel over the right edge of rear header and 3" above the ridge beam. Align the channels in the roof panel with the rear header tabs.



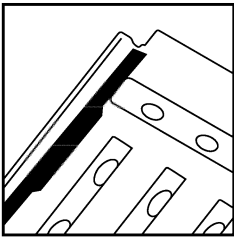
With at least two people, slide the roof panel down the slope into its final position while engaging tabs and channels (while sliding roof panel down, one person on inside of shed needs to push up on roof panel so it clears top of side panel).



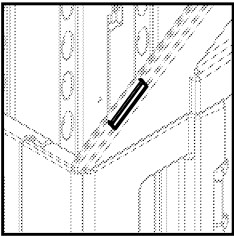
From the interior of the shed, secure right roof panel into place using panel connector pin (J) on side panel.



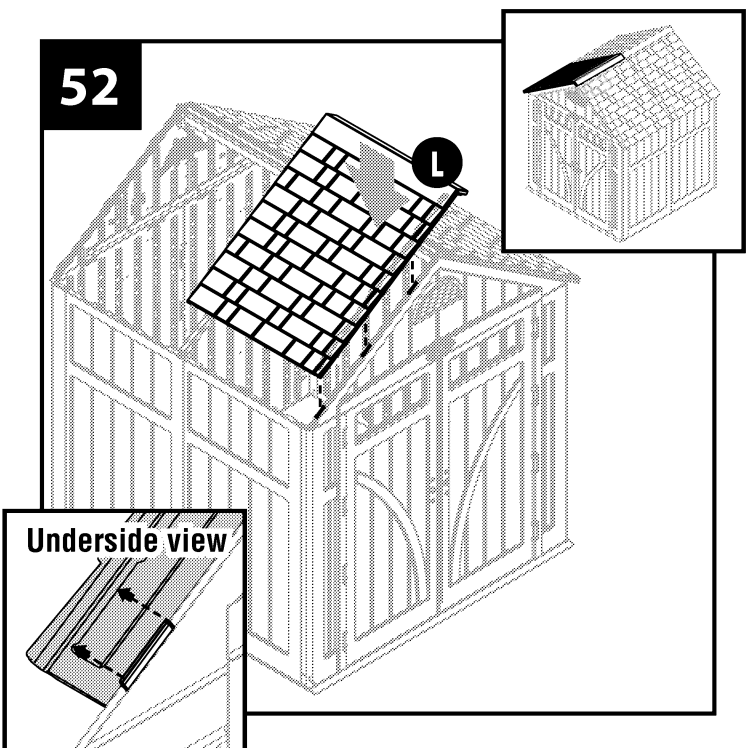
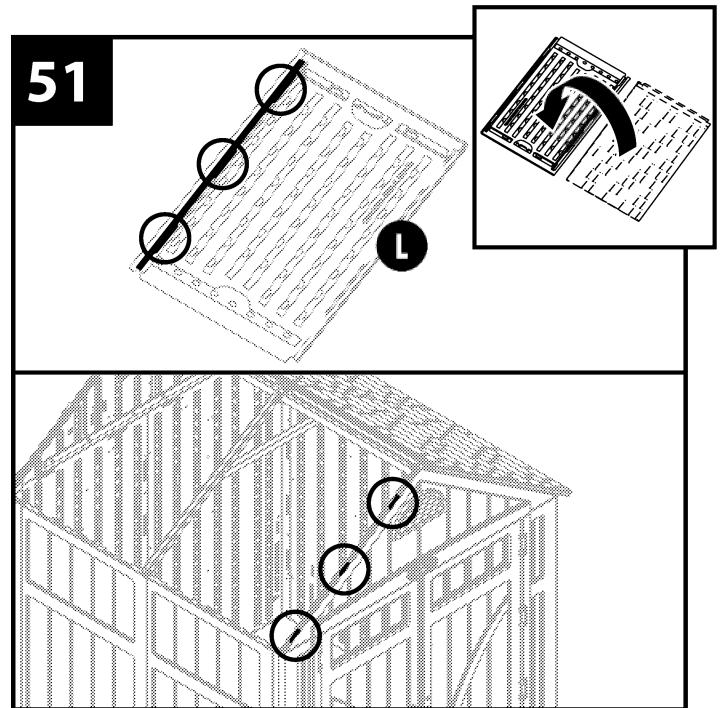
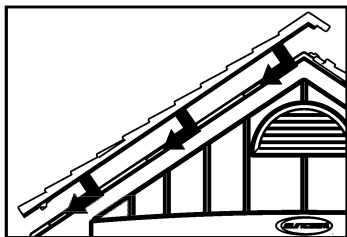
Locate and identify channels on interior side of one left roof (L) panel. Locate three underside tabs contained within the channels.



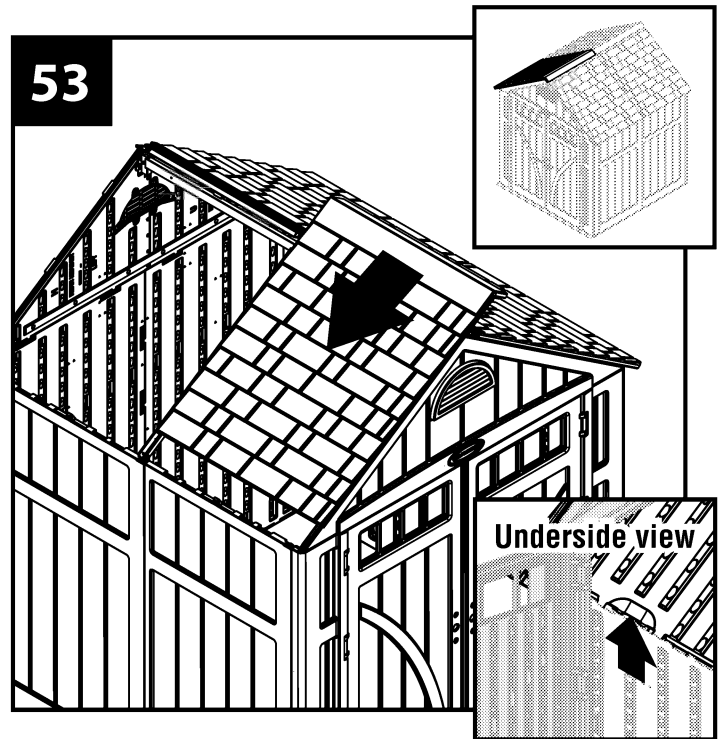
Locate and identify the three front header tabs.



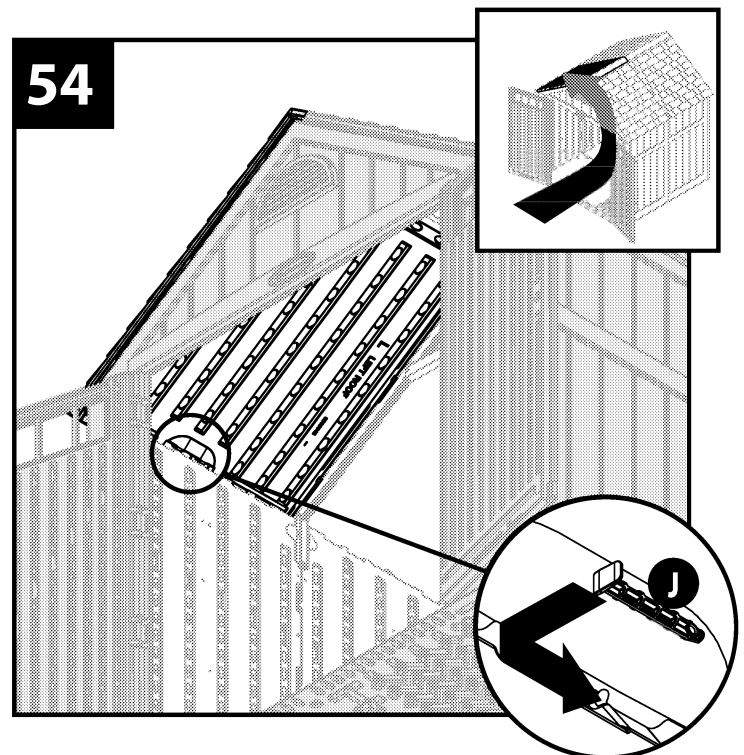
With at least two people, lay left roof (L) over the left edge of front header and three inches above the ridge beam. Align the channels in the roof panel with the front header tabs.



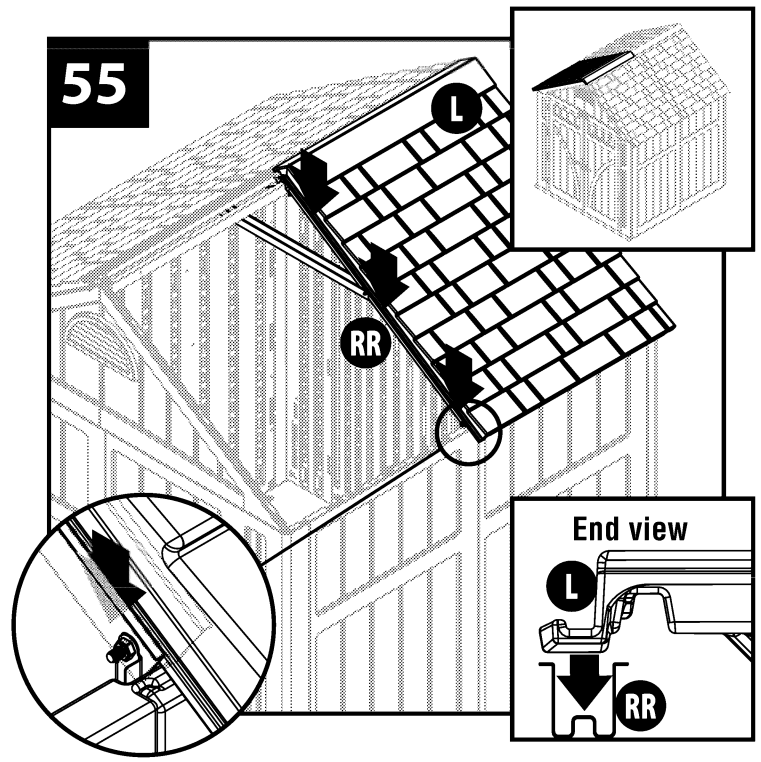
With at least two people, slide the roof panel down the slope into its final position while engaging tabs and channels (while sliding roof panel down, one person on inside of shed needs to push up on roof panel so it clears top of side panel).



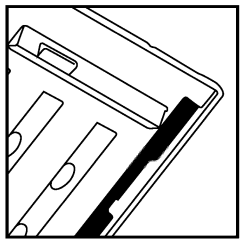
From the interior of the shed, secure left roof panel into place using panel connector pin (J) on side panel.



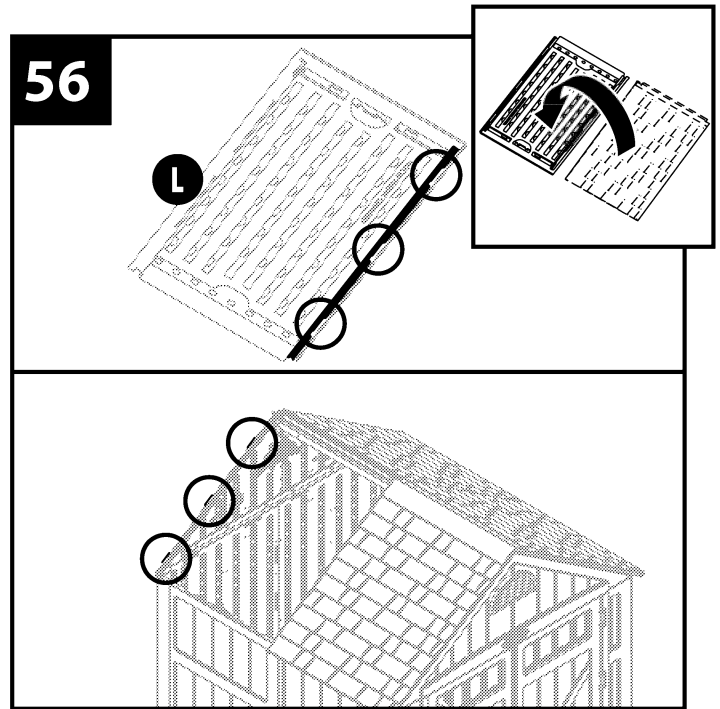
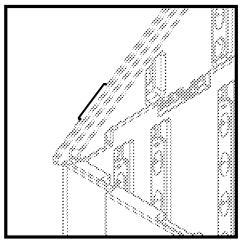
Press edge of left roof (L) panel into channel on truss leg (RR).



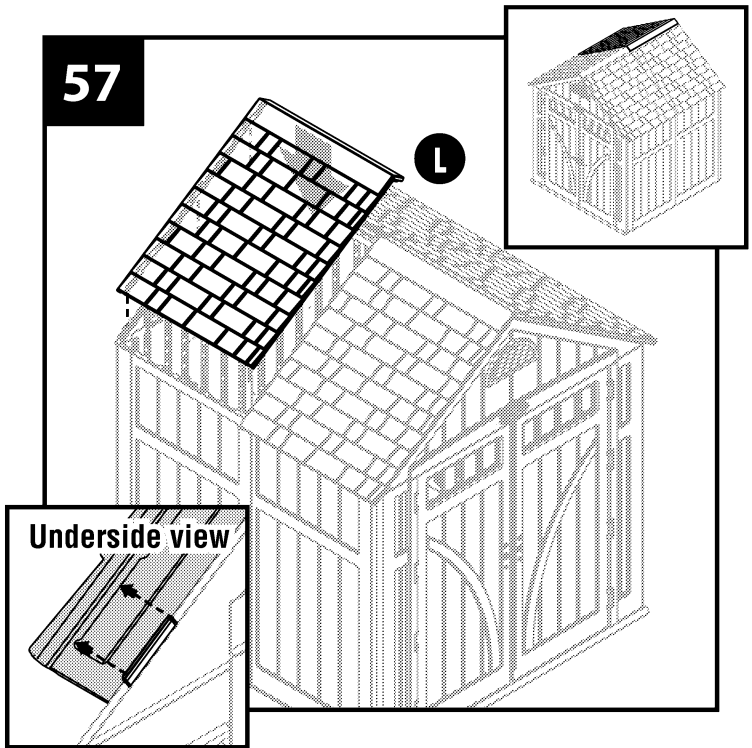
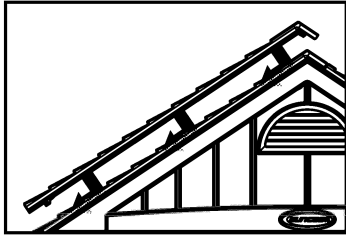
Locate and identify channels on interior side of remaining left roof (L) panel. Locate three underside tabs contained within the channels.



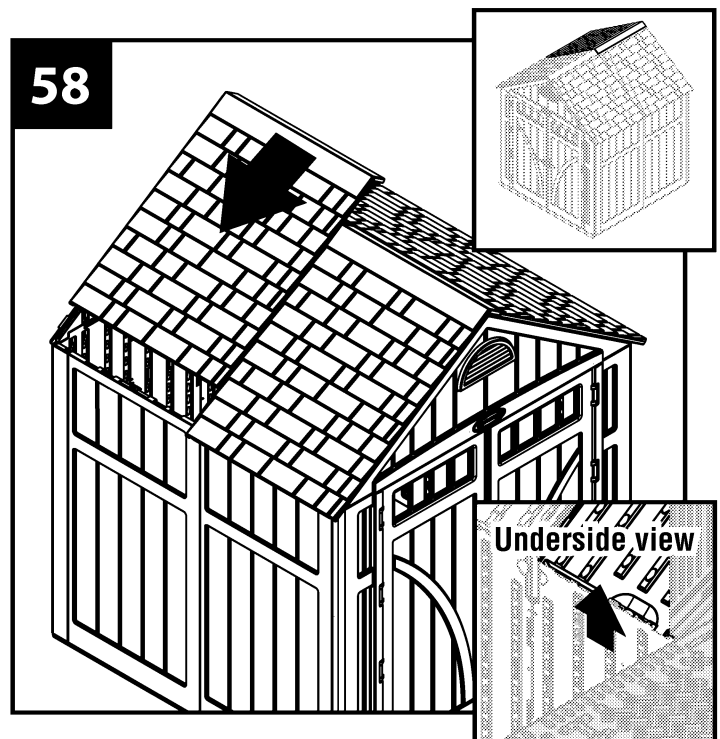
Locate and identify the three rear header tabs.



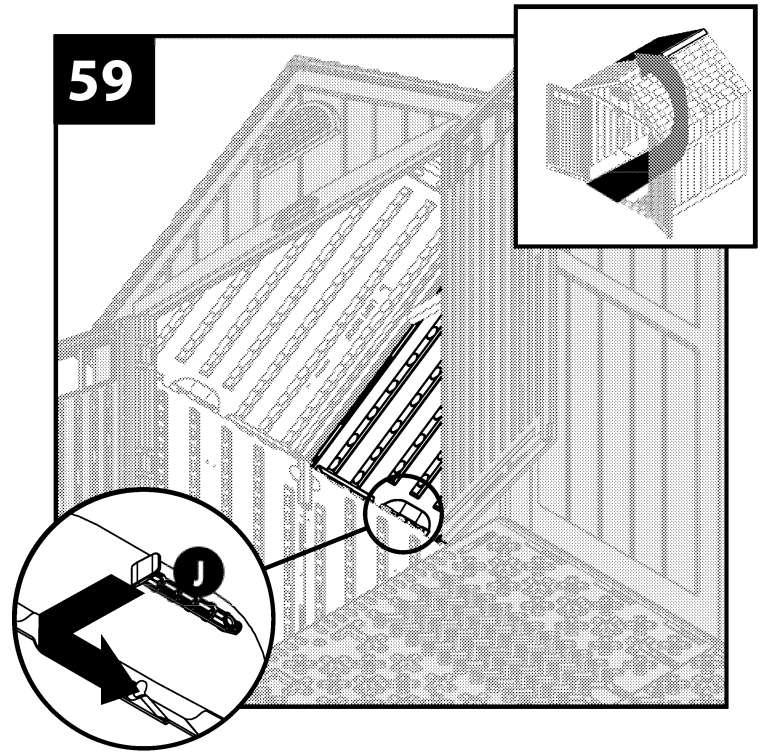
With at least two people, lay left roof (L) over the left edge of rear header and 3" above the ridge beam. Align the channels in the roof panel with the rear header tabs.



With at least two people, slide the roof panel down the slope into its final position while engaging tabs and channels (while sliding roof panel down, one person on inside of shed needs to push up on roof panel so it clears top of side panel).

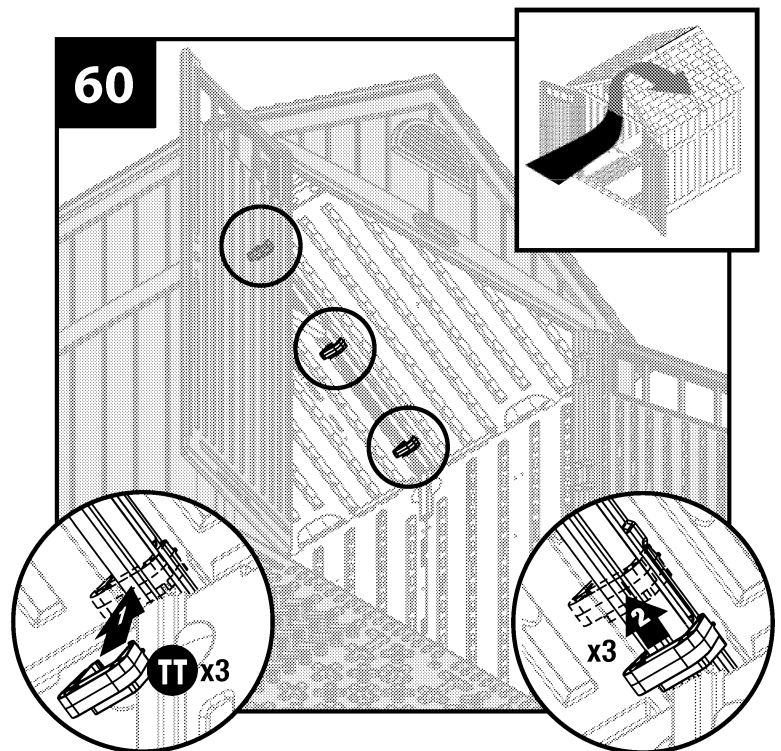


From the interior of the shed, secure left roof panel into place using panel connection pin (J) on side panel.



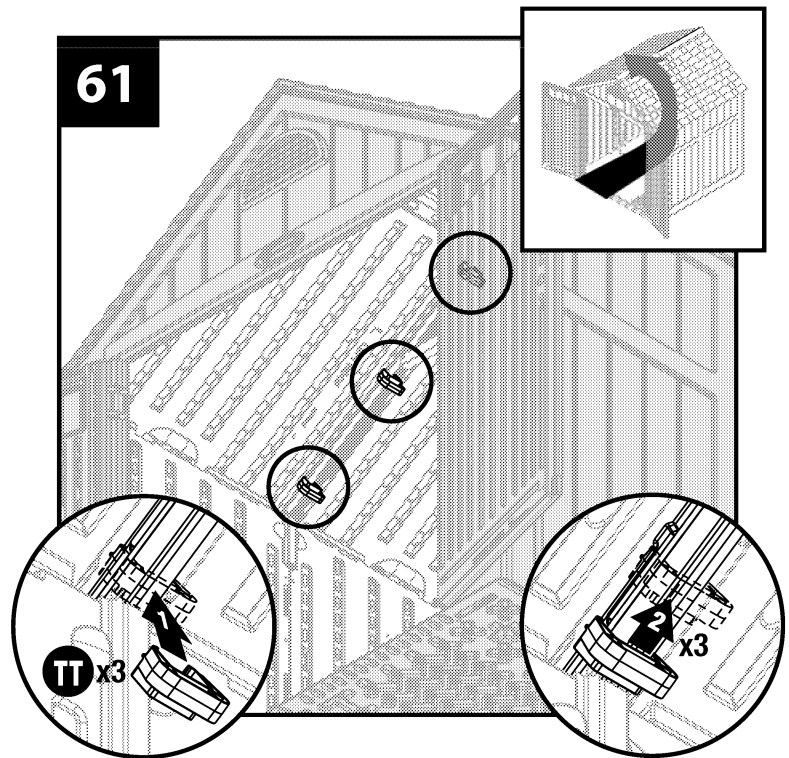
Secure right roof panels to truss by hooking three roof connectors (TT) over truss leg and into corresponding slots in roof panels.

See illustration for correct orientation of connectors.

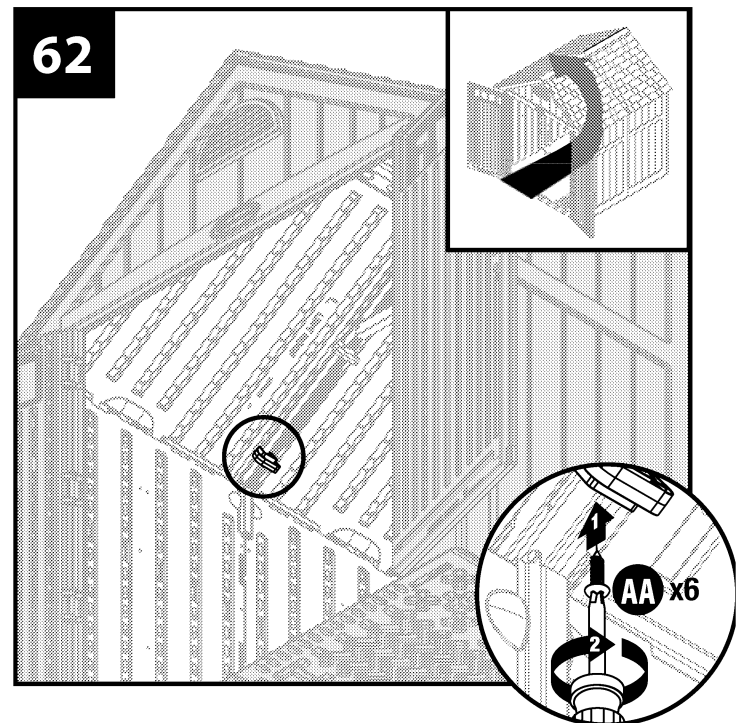


Secure left roof panels to truss by hooking three roof connectors (TT) over truss leg and into corresponding slots in roof panels.

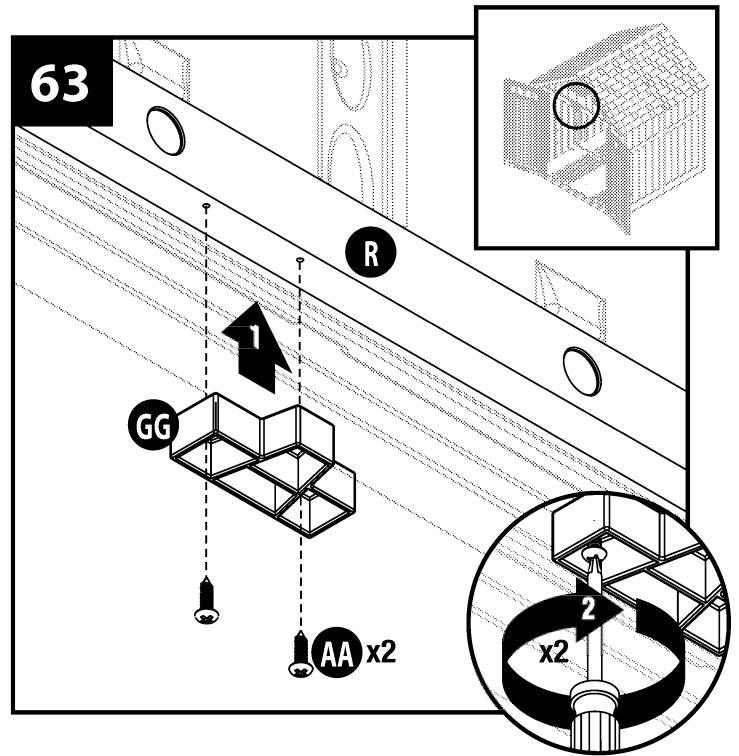
See illustration for correct orientation of connectors.



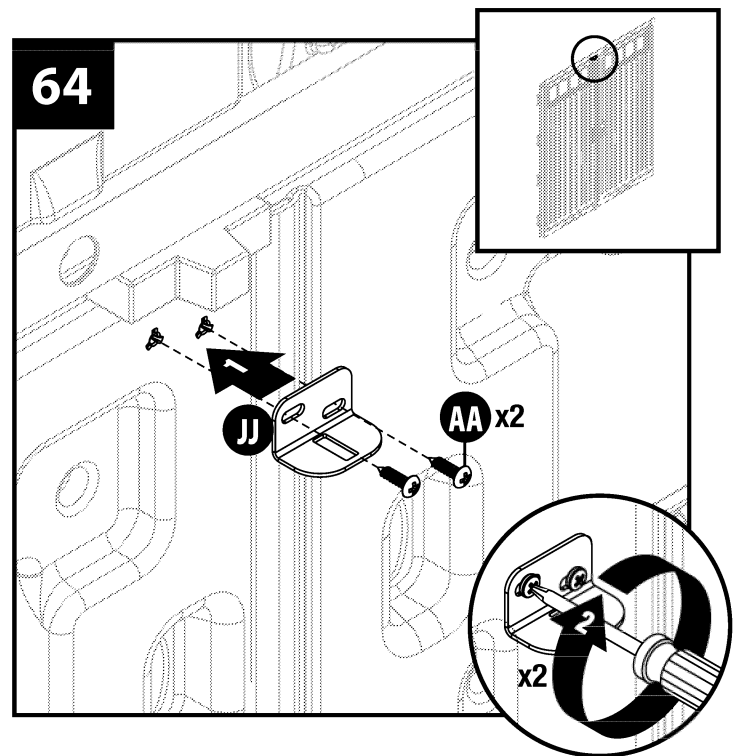
Install one screw (AA) into truss behind roof connector. Repeat for remaining five roof connectors.



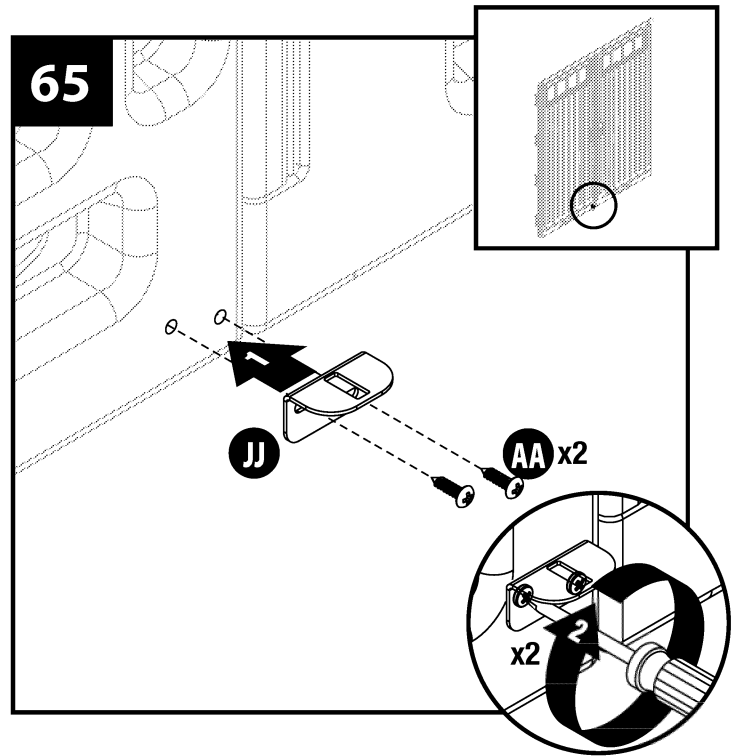
On front header, attach header latch plate (GG) to header beam (R) with two screws (AA).



At the top interior side of right door, attach one clip (JJ) with two screws (AA) through pre-drilled holes.

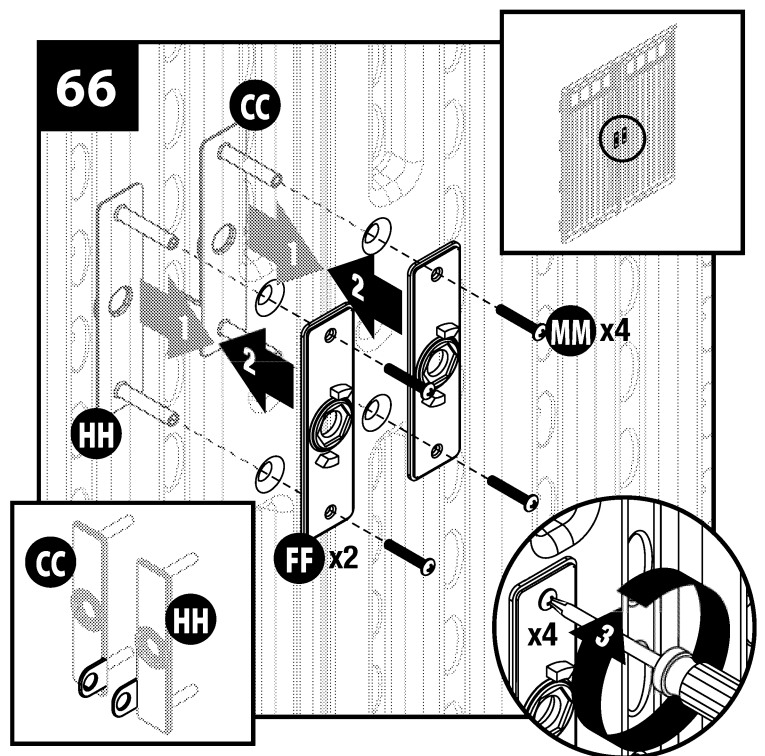


At the bottom interior side of right door, attach remaining clip (JJ) with two screws (AA) through pre-drilled holes.

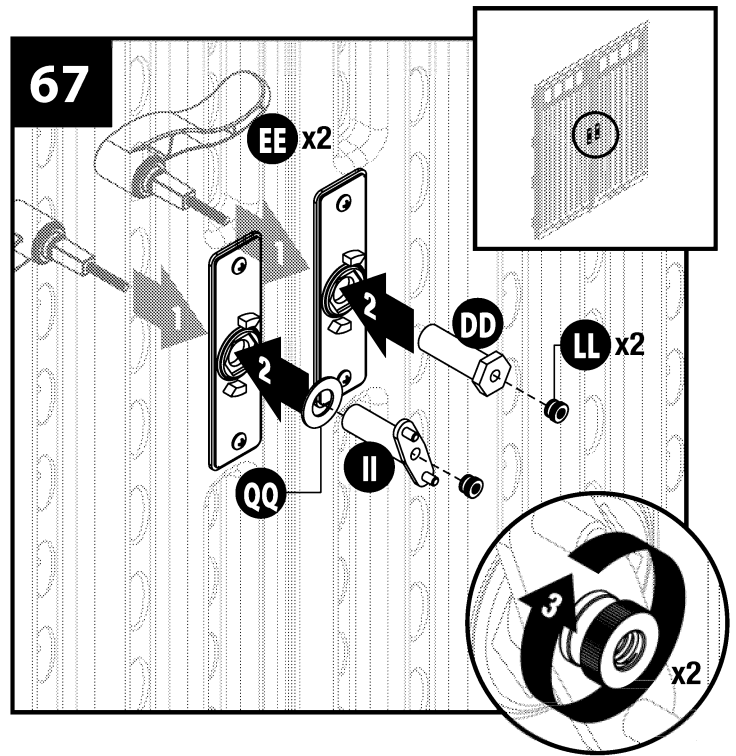


Insert screw stems on left and right handle plates (CC) and (HH) through the pre-drilled holes in doors. While holding plates in place on exterior of door, position inside handle plates (FF) over the stems and secure each with two Phillips machine screws (MM).

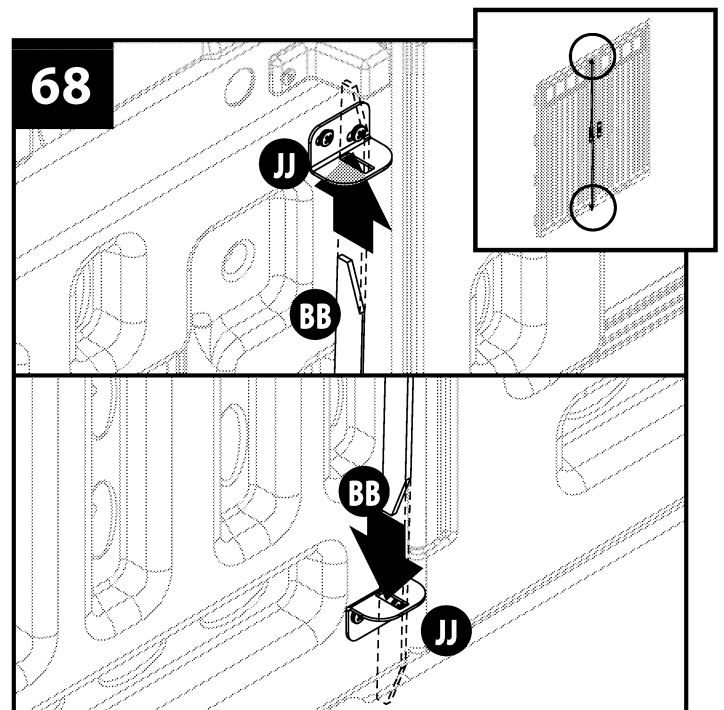
Note: Left and right handle plates have locking tabs that should fit flush to each other between doors.



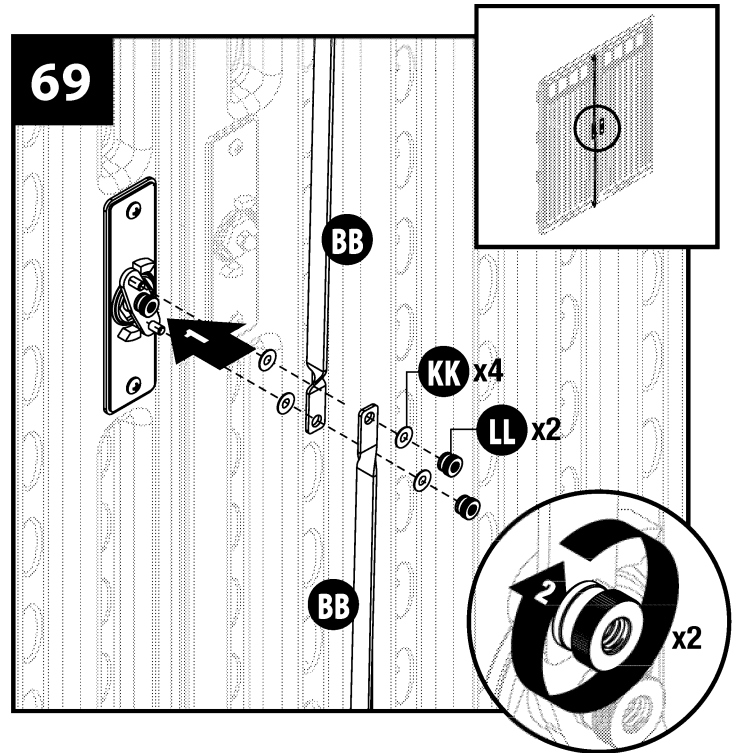
From the outside of left door, insert door handle (EE) through handle plate hole. On the inside of left door, place handle stop (DD) on door handle, and secure with nylon thumb nut (LL). From the outside of right door, insert door handle (EE) through handle plate hole. On the inside of right door, place actuator washer (QQ) and handle actuator (II) on right door handle and secure with nylon thumb nut (LL).



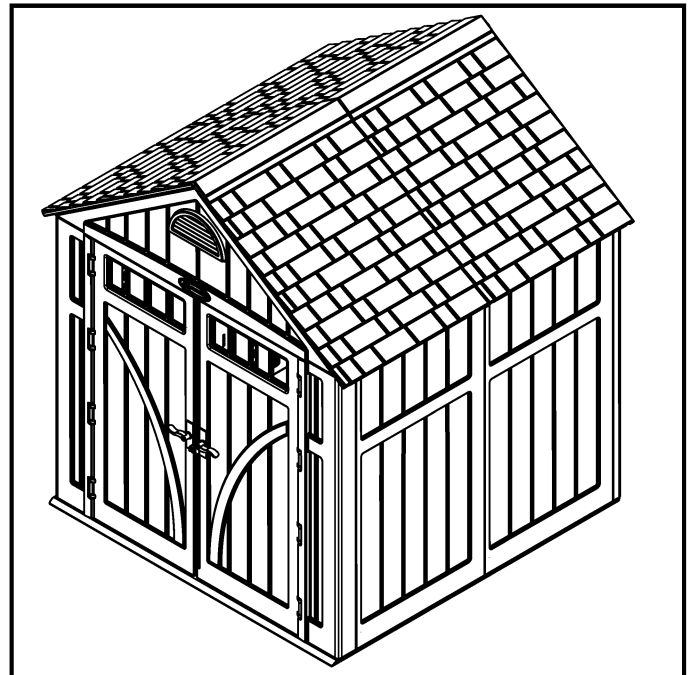
Insert angle ends of each rod (BB) into clips (JJ) on top and bottom interior of right door.



On interior of right door handle, place one washer (KK) on each actuator pin, followed by the loose end of each rod (BB), one more washer (KK) and one nylon thumb nut (LL).



Complete shed.



Warranty

Suncast® Corporation, 701 North Kirk Road, Batavia, Illinois 60510 (Manufacturer) warrants to the original purchaser only that the enclosed product is free from material and workmanship defects under normal, household use at time of purchase. Defective product or part must be returned, freight prepaid, to the Manufacturer's address (Attention: Parts Department) along with proof of purchase. Upon receipt of the aforesaid, the defective product or part will be repaired or replaced at the option of the Manufacturer without charge to the original purchaser and returned to the customer freight collect.

This limited warranty does not apply to damage resulting from accident, neglect, misuse, commercial use, alteration, operation not in accordance with instruction or repairs made or attempted by unauthorized persons.

This limited warranty applies only to the product enclosed and does not apply to accessory parts.

THE MANUFACTURER'S LIABILITY HEREUNDER IS LIMITED SOLELY TO THE REPAIR OR REPLACEMENT OF THE DEFECTIVE PRODUCT OR PART AND THE MANUFACTURER SHALL IN NO EVENT BE LIABLE FOR ANY INCIDENTAL OR CONSEQUENTIAL DAMAGES WHICH MAY RESULT FROM ANY DEFECT IN MATERIAL OR WORKMANSHIP OR FROM THE BREACH OF ANY EXPRESS OR IMPLIED WARRANTY.

Some states do not allow the exclusion or limitation of incidental or consequential damages, or a limitation of how long an implied warranty lasts, so the above limitations may not apply to you. This warranty gives you specific legal rights, and you may have other rights which may vary from state to state.

Factory Repairs

Repair service and assembly assistance are available direct from the factory, not from the place of purchase. If this product requires repair, please call or write us. Warranty repair parts are sent out free of charge. If the product is out of warranty, we will inform you of the charges prior to sending out the parts. VISA and MasterCard are accepted on phone orders. For assembly or replacement parts information:

Replacement Parts
Suncast Corporation
701 North Kirk Road
Batavia, IL 60510 USA

Outside Illinois, but within North America
800-846-2345
24 hour service / 7 days a week

Within Illinois, or outside North America
630-879-2050
visit: www.suncast.com
email: parts@suncast.com

PATENTS
Patents pending.

Quality Control Number